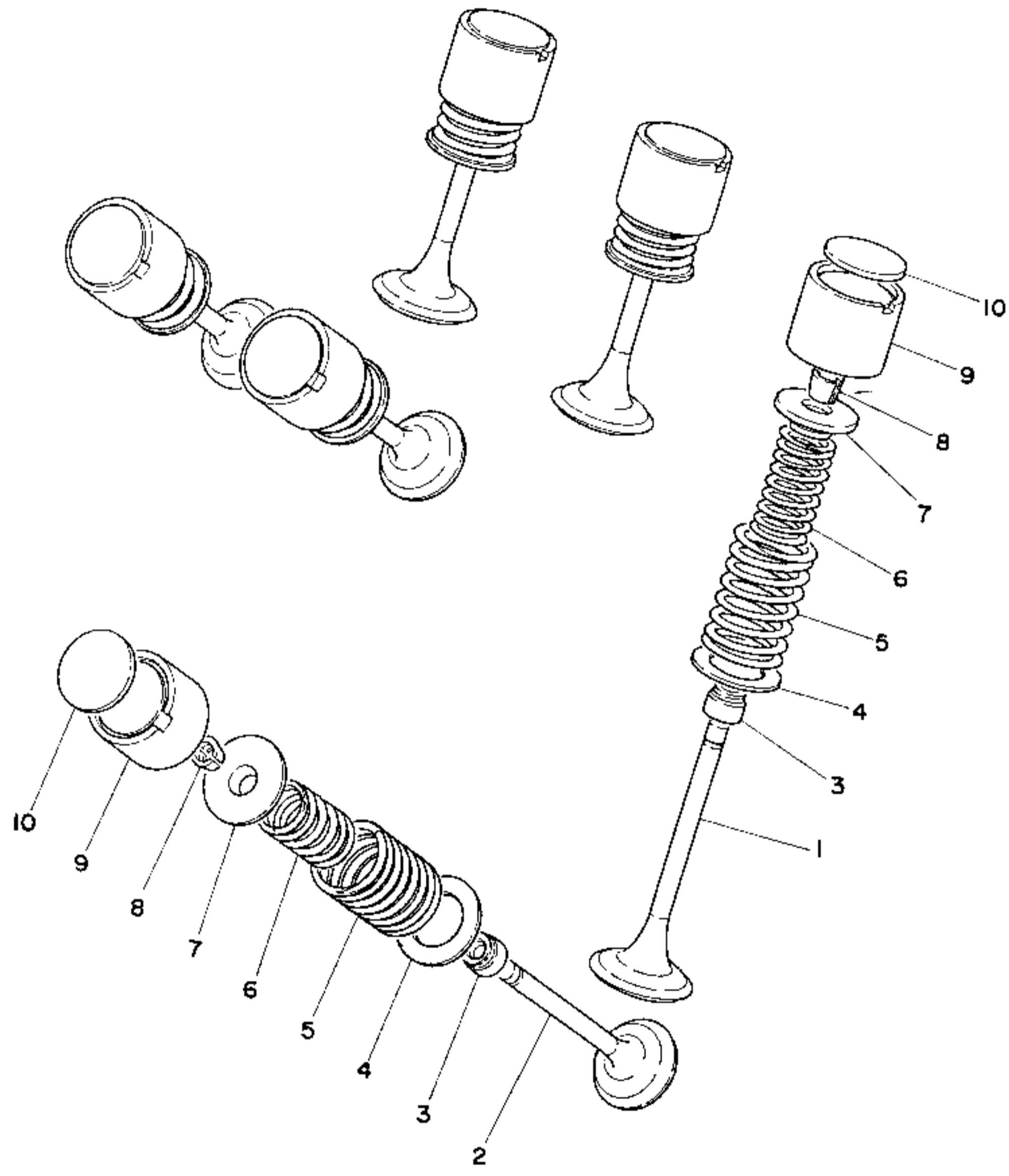


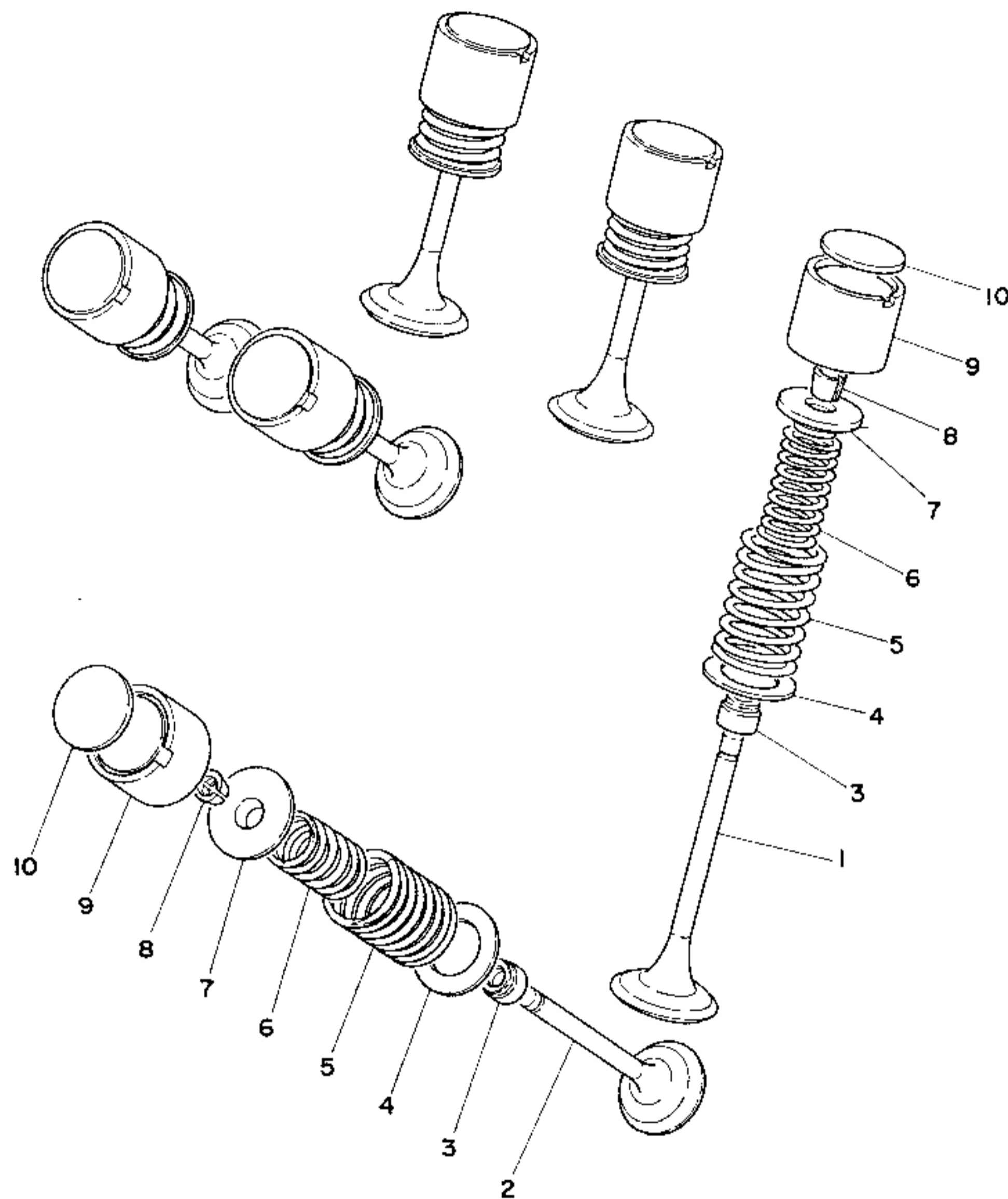
Fig. 2 VALVE

ef. No.	Parts No.	Description	Q'ty		Remarks
			750D	750 2D	
1	1J7-12111-00	VALVE, intake	3	3	
2	1J7-12121-00	VALVE, exhaust	3	3	
3	1J7-12119-01	SEAL, valve stem oil	6	6	
4	1J7-12116-00	SEAT, valve spring	6	6	
5	90501-39414	SPRING, outer	6	6	
6	90501-28415	SPRING, inner	6	6	
7	1J7-12117-00	RETAINER, valve spring	6	6	
8	1J7-12118-00	LOCK, valve spring retainer	12	12	
9	1J7-12153-00	LIFTER, valve	6	6	



FWD

Fig. 2 VALVE



FWD

Q'ty	Applicable Machine No.	Remarks	
7500	750	23	
Q'ty	Parts No.	Description	Remarks
-10	1J7-12169-01	PAD, adjusting (2.00)	
	1J7-12169-11	PAD, adjusting (2.05)	
	1J7-12169-21	PAD, adjusting (2.10)	
	1J7-12169-31	PAD, adjusting (2.15)	
	1J7-12169-41	PAD, adjusting (2.20)	
	1J7-12169-51	PAD, adjusting (2.25)	
	1J7-12169-61	PAD, adjusting (2.30)	
	1J7-12169-71	PAD, adjusting (2.35)	
	1J7-12169-81	PAD, adjusting (2.40)	
	1J7-12169-91	PAD, adjusting (2.45)	
	1J7-12169-A1	PAD, adjusting (2.50)	
	1J7-12169-E1	PAD, adjusting (2.55)	
	1J7-12169-F1	PAD, adjusting (2.60)	U.R. U.R. 6 6
	1J7-12169-G1	PAD, adjusting (2.65)	
	1J7-12169-H1	PAD, adjusting (2.70)	
	1J7-12169-J1	PAD, adjusting (2.75)	
	1J7-12169-K1	PAD, adjusting (2.80)	
	1J7-12169-L1	PAD, adjusting (2.85)	
	1J7-12169-M1	PAD, adjusting (2.90)	
	1J7-12169-N1	PAD, adjusting (2.95)	
	1J7-12169-R1	PAD, adjusting (3.00)	
	1J7-12169-T1	PAD, adjusting (3.05)	
	1J7-12169-U1	PAD, adjusting (3.10)	
	1J7-12169-V1	PAD, adjusting (3.15)	
	1J7-12169-W1	PAD, adjusting (3.20)	