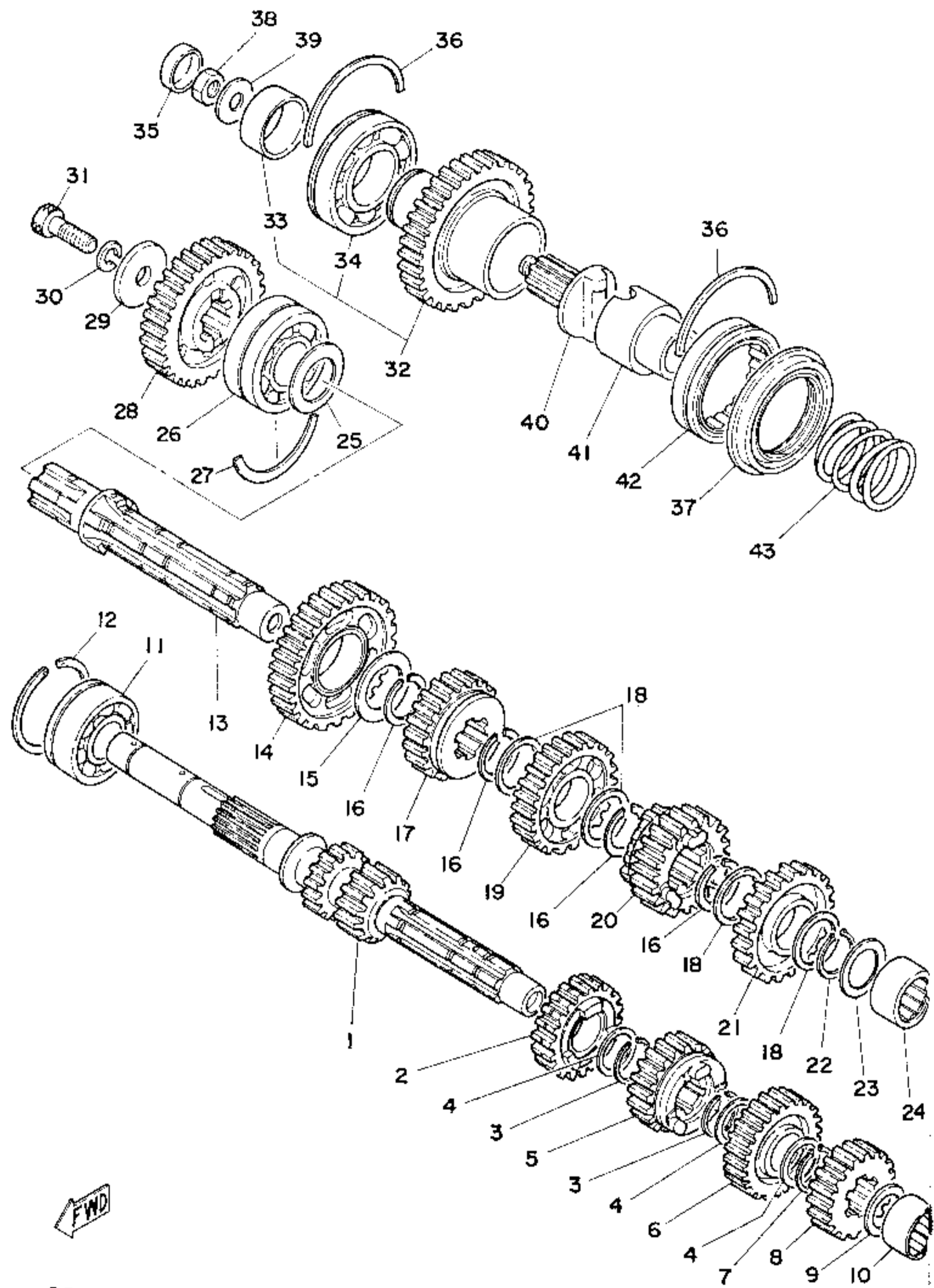
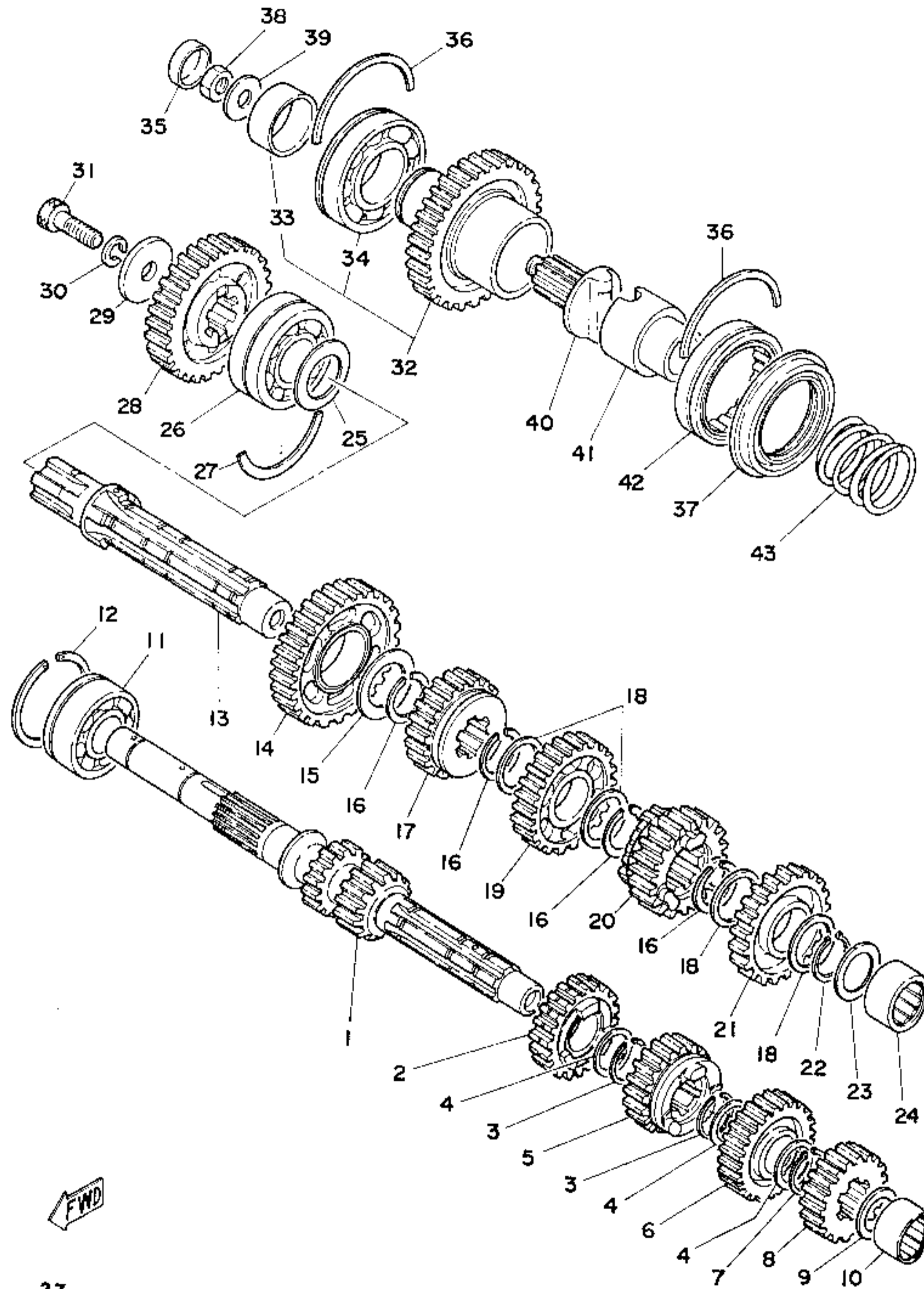


Fig. 11 - TRANSMISSION



Ref. No.	Parts No.	Description	Qty		Remarks
			750D	750 1/2A 2D	
1-1	1J7-17411-01	AXLE, main (13T)	1	1	
	1J7-17411-02	AXLE, main (13T)	1	1	
2	1J7-17141-00	GEAR, 4th pinion (21T)	1	1	
	1J7-17141-01	GEAR, 4th pinion (21T)	1	1	
3	93440-25020	CIRCLIP	2	2	
4	90201-25287	WASHER, gear hold 5 (25.2-30-1.0)	3	3	
5	1J7-17131-00	GEAR, 3rd pinion (20T)	1	1	
	1J7-17131-01	GEAR, 3rd pinion (20T)	1	1	
6	1J7-17151-02	GEAR, 5th pinion (23T)	1	1	
	1J7-17151-03	GEAR, 5th pinion (23T)	1	1	
7	93410-25017	CIRCLIP (S-25)	1	1	
8	256-17121-00	GEAR, 2nd pinion (17T)	1	1	
	256-17121-01	GEAR, 2nd pinion (17T)	1	1	
9	137-17427-00	SHIM, drive axle	1	1	
10	93311-32024	BEARING	1	1	
11	93305-20504	BEARING (B5205 special)	1	1	
12	93440-52014	CIRCLIP	1	1	
13	1J7-17421-02	AXLE, drive	1	1	
	1J7-17421-03	AXLE, drive	1	1	
14	1J7-17211-02	GEAR, 1st wheel (32T)	1	1	
15	90201-30602	WASHER, plate (30.2-40-2.0)	1	1	
16	93440-30015	CIRCLIP	4	4	
17	1J7-17241-02	GEAR, 4th wheel (23T)	1	1	
	1J7-17241-03	GEAR, 4th wheel (23T)	1	1	
18	1J7-17219-00	SHIM	4	4	
19	1J7-17231-02	GEAR, 3rd wheel (26T)	1	1	
	1J7-17231-03	GEAR, 3rd wheel (26T)	1	1	
20	1J7-17251-02	GEAR, 5th wheel (22T)	1	1	
	1J7-17251-03	GEAR, 5th wheel (22T)	1	1	
21	1J7-17221-02	GEAR, 2nd wheel (27T)	1	1	
	1J7-17221-03	GEAR, 2nd wheel (27T)	1	1	
22	93410-30012	CIRCLIP (S-30)	1	1	

Fig. 11 TRANSMISSION



Ref. No.	Parts No.	Description	Q'ty	Remarks
			7500 750 -20	Machine No.
1-23	1J7-17427-01	SHIM, drive axle (24.2-33-1.6)	1	1
24	93311-32425	BEARING	1	1
25	90201-30602	WASHER, plate (30.2-40-2.0)	1	1
26	93305-20602	BEARING (B5206 special)	1	1
27	93440-62046	CIRCLIP	1	1
28	1J7-17582-01	GEAR, middle drive (32T)	1	1
	1J7-17582-02	GEAR, middle drive (32T)	1	1
29	90201-10595	WASHER, plate	1	1
30	92901-10100	WASHER, spring	1	1
31	91318-10030	BOLT, hexagon socket head	1	1
32	1J7-W1758-01	MIDDLE DRIVEN GEAR COMP. (34T) ..	1	1
33	90387-35544	. COLLAR	1	1
34	93306-20705	. BEARING (B6207 special)	1	1
35	90331-30014	PLUG	1	1
36	93440-72049	CIRCLIP	2	2
37	93103-50103	OIL SEAL (SW-48.8-72-9)	1	1
38	95301-12700	NUT, hexagon	1	1
39	90201-12622	WASHER, plate	1	1
40	1J7-17526-00	CAM, drive	1	1
41	1J7-17527-00	CAM, driven	1	1
42	93390-00014	BEARING	1	1
43	90501-40467	SPRING, compression	1	1