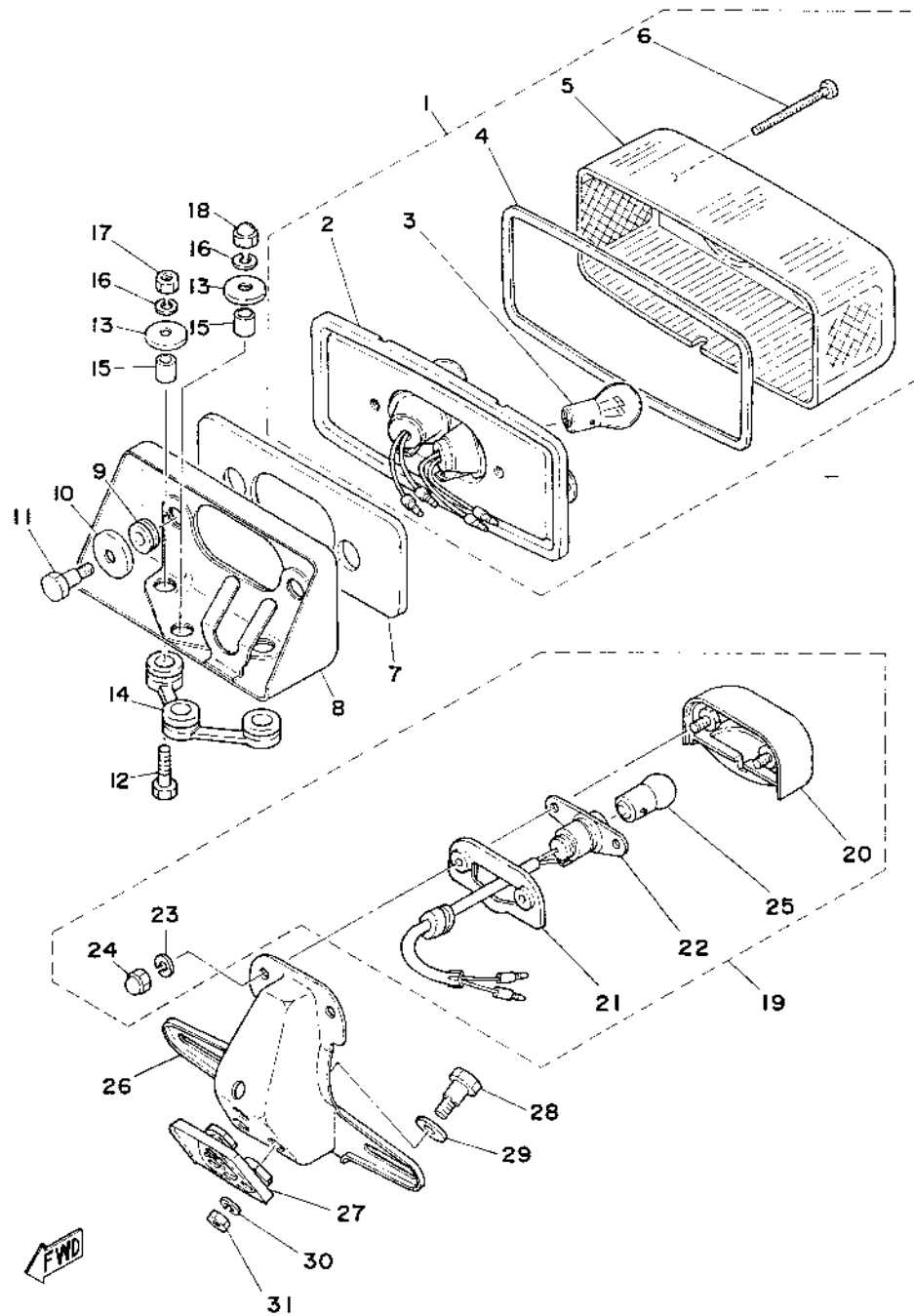


Fig. 42 TAIL LAMP (XS750D)



Ref. No.	Parts No.	Description	Q'ty	Applicator	Remarks
			750D	Machine No.	
42-30	92901-06100	WASHER, spring	3		
31	95301-06700	NUT, hexagon	3		
	95301-06600	NUT, hexagon	3		

