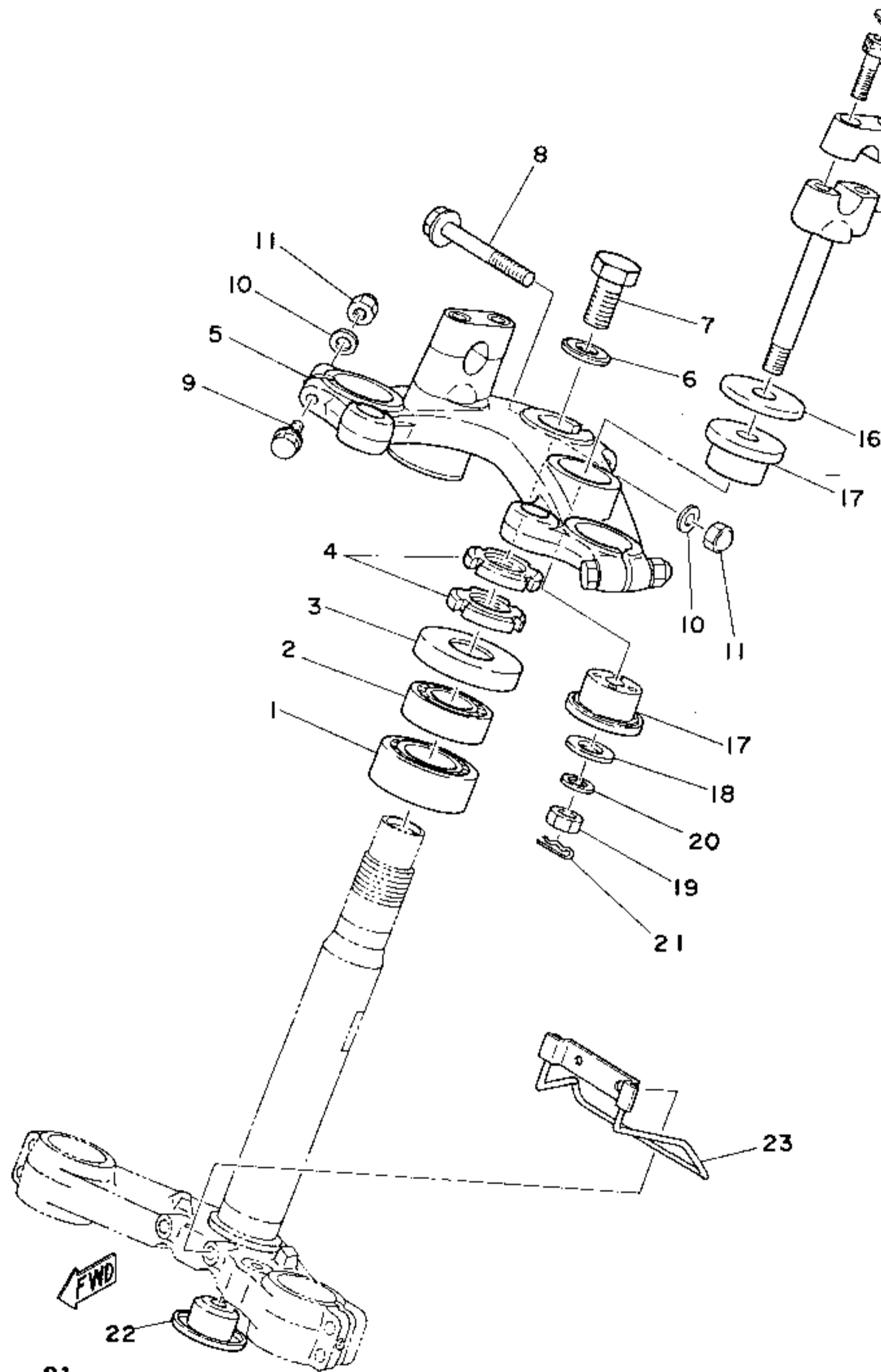


Fig. 28 STEERING



Af. No.	Parts No.	Description	Q'ty		Applicable Machine No.	Remarks
			750D	750-2D		
1	93332-00008	BEARING	1	1		
2	93332-00001	BEARING	1	1		
3	1J7-23415-00	COVER, ball race	1	1		
4	90179-25033	NUT, fitting (137-23454-00)	2	2		
5	1J7-23435-00-98	CROWN, handle	1			Low Gloss Black
	1T4-23435-00-98	CROWN, handle	1			Low Gloss Black
6	90209-14023	WASHER, plate (341-23443-00)	1	1		
7	90106-14017	BOLT, round hexagon (341-23451-00)	1	1		
8	95823-08065	BOLT, flange	1	1		
9	95823-08050	BOLT, flange	2	2		
10	92903-08600	WASHER, plain	3	3		
11	95303-08800	NUT, crown	3	3		
12	90110-08008	BOLT, hexagon socket head cap	4	4		
13	341-23469-00	CAP, bolt	4	4		
14	341-23441-00	HOLDER, handle upper	2	2		Low Gloss Black
15	1E6-23442-00	HOLDER, handle under	2	2		Low Gloss Black
16	90209-12151	WASHER	2	2		
17	1J7-23434-00	BUSHING, rubber	4	4		
18	90201-10149	WASHER, plate (256-23444-00)	2	2		
19	95301-10700	NUT, hexagon	2	2		
20	92901-10100	WASHER, spring	2	2		
21	90468-12006	CLIP (136-25375-00)	2	2		
22	90338-25074	PLUG	1	1		
23	1J7-26399-00	GUIDE, wire	1	1		