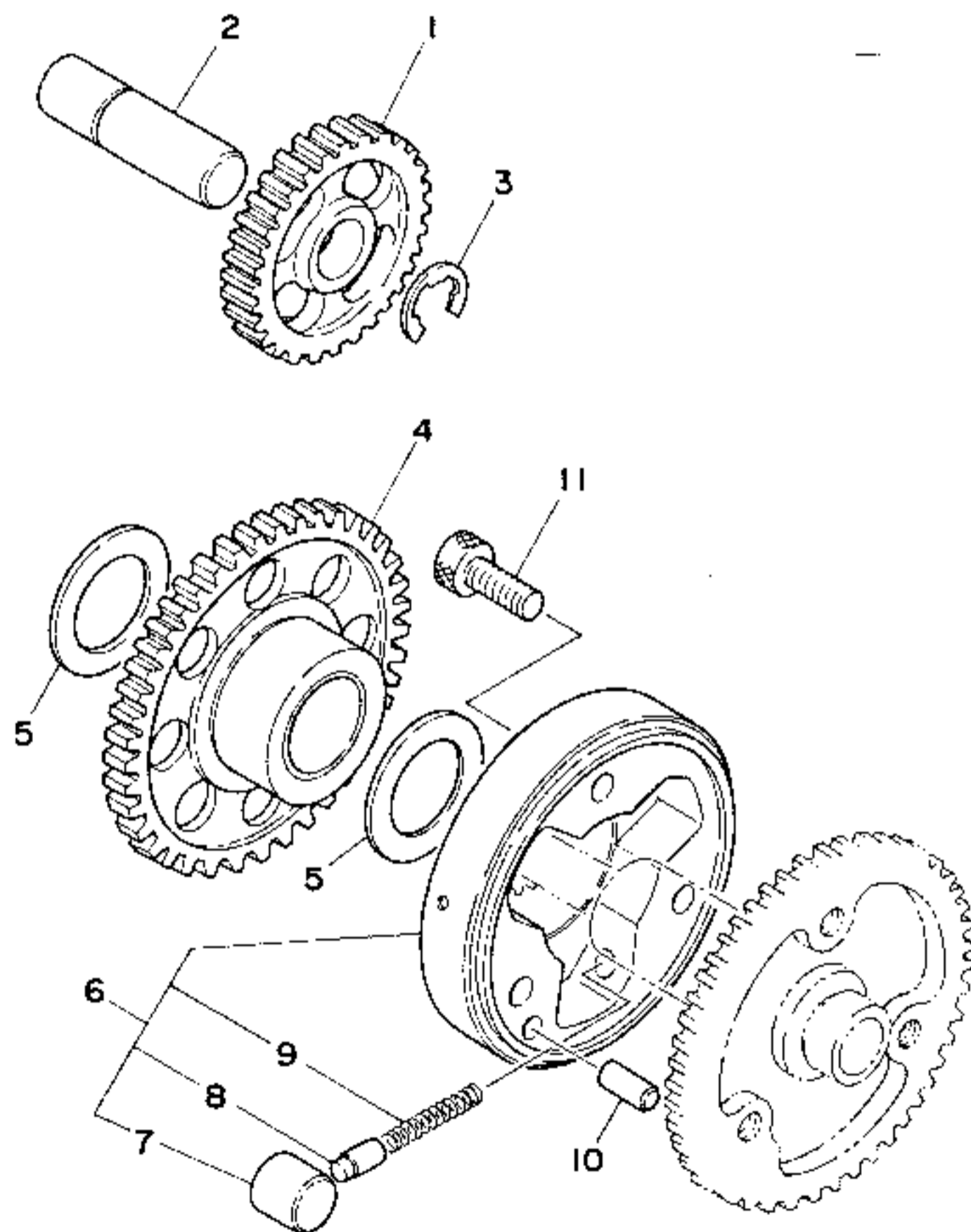
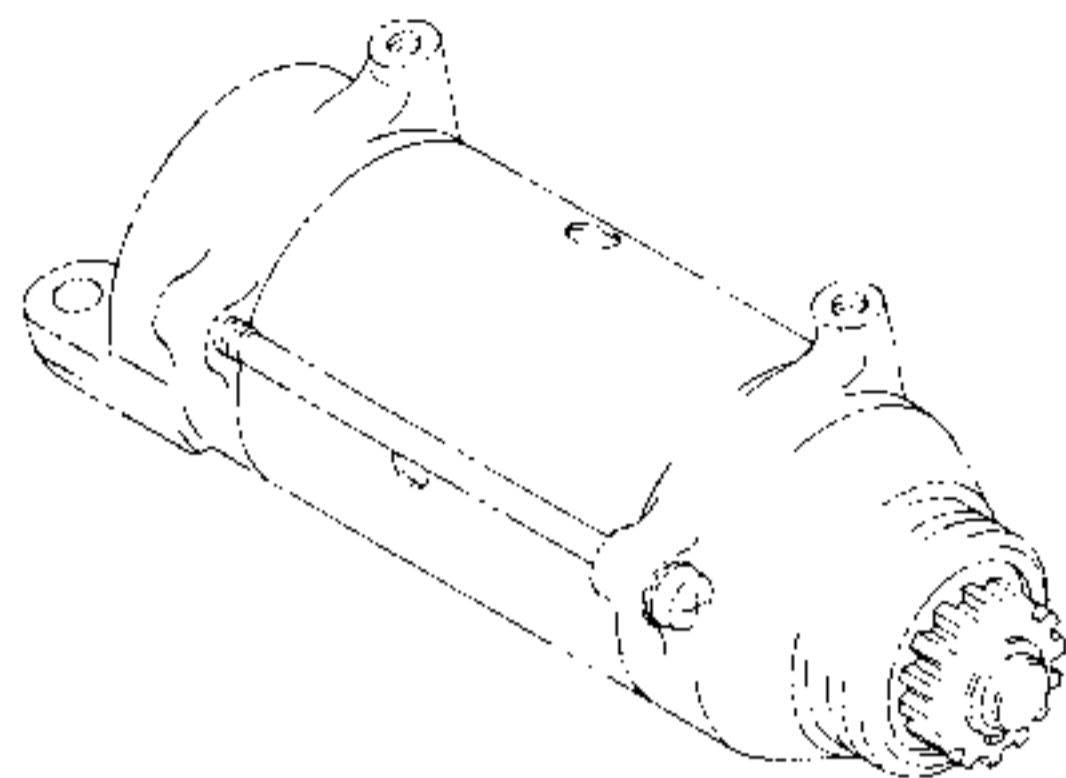


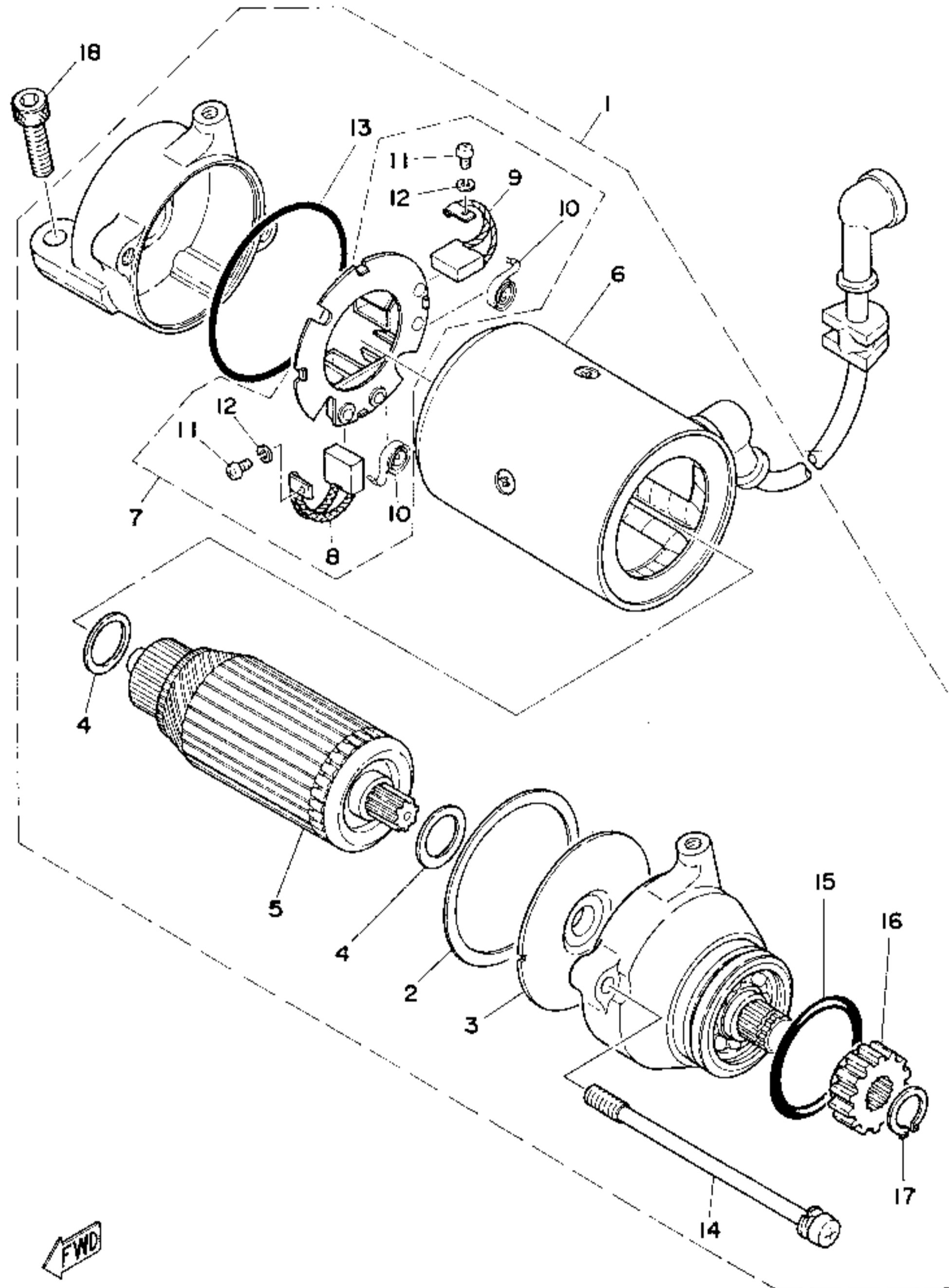
Fig. 7 STARTING MOTOR UNIT



FWD

ef. No.	Parts No.	Description	Q'ty		Remarks
			750D	750 2D Machine No.	
1	1J7-15512-00	GEAR, idler 1 (28T)	1	1	
2	1J7-15521-00	SHAFT, idler gear	1	1	
3	93430-15023	CIRCLIP (E-15)	1	1	
4	1J7-15517-01	GEAR, kick idler 2 (47T)	1	1	
5	90201-25291	WASHER, plate (371-11558-00)	2	2	25.2 39-1.0
6	1J7-15580-00	STARTER CLUTCH OUTER ASS'Y	1	1	
7	93615-17125	PIN, dowel (15-16.9)	3	3	
8	1J7-15583-00	CAP, starter clutch spring	3	3	
9	90501-03298	SPRING, compression (341-15584-03)	3	3	
10	93606-14081	PIN, dowel	1	1	
11	91316-08020	BOLT, hexagon socket head	3	3	

Fig. 8 STARTING MOTOR



Ref. No.	Parts No.	Description	Q'ty		Remarks
			750D	750 20	
1	1J7-81800-60	STARTING MOTOR ASS'Y	1	1	
2	371-81844-20	. GASKET	1	1	
3	371-81845-20	. PLATE	1	1	
4	371-81809-20	. WASHER KIT	1	1	
5	371-81850-20	. ARMATURE ASS'Y	1	1	
6	1J7-81810-60	. STATOR ASS'Y	1	1	
7	1J7-81840-60	. BRUSH HOLDER ASS'Y	1	1	
8	371-81811-20	. BRUSH (-)	1	1	
9	371-81812-20	. BRUSH (-)	1	1	
10	371-81813-20	. SPRING, brush	2	2	
11	98501-03008	. SCREW, panhead	2	2	
12	92901-03100	. WASHER, spring	2	2	
13	371-81847-20	. O-RING	1	1	
14	1J7-81826-60	. BOLT	2	2	
15	1J7-81847-60	. O-RING (3.1-39.4)	1	1	
16	1J7-15511-00	. GEAR (13T)	1	1	
17	93410-12003	. CIRCLIP (S-12)	1	1	
18	91311-08025	BOLT, hexagon socket head	2	2	