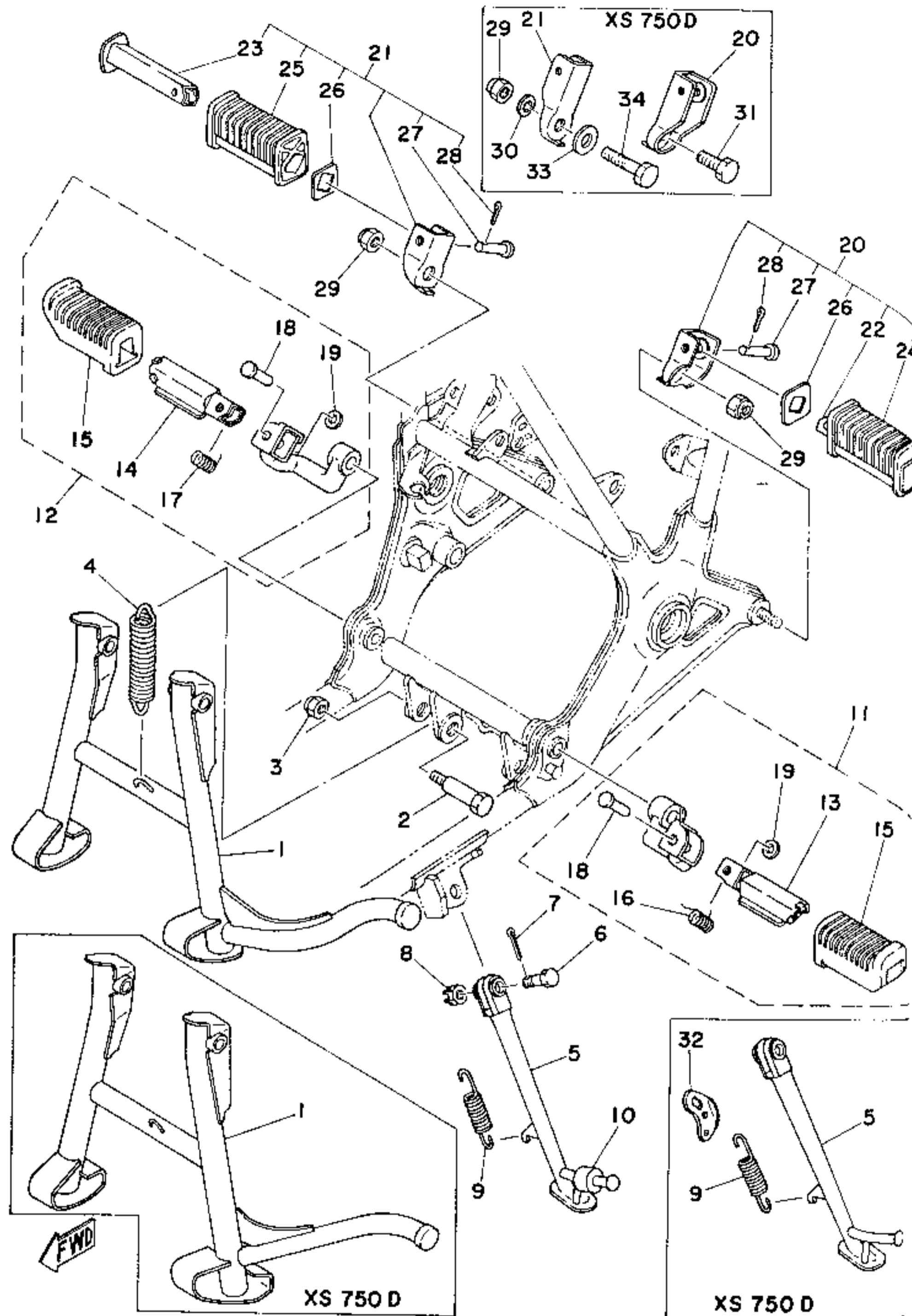
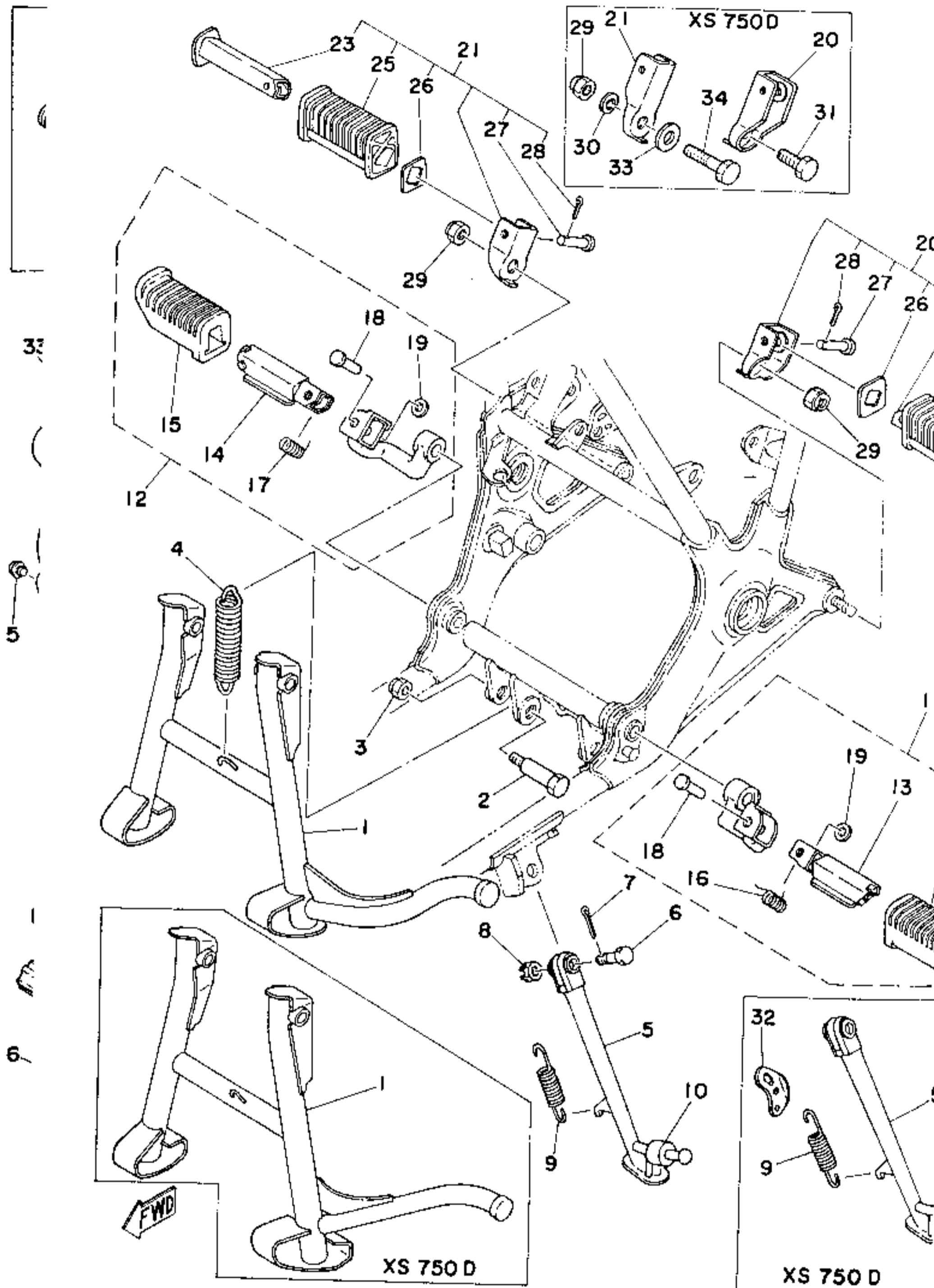


Fig. 24 STAND - FOOTREST



Ref. No.	Parts No.	Description	Q'ty		Remarks
			750D	750-2D	
1	1J7-27111-02	STAND, main	1		⚠ (24-4 90506-40145 with set)
	1J7-27111-03	STAND, main	1		
	1T4-27111-00	STAND, main	1		
2	90109-10440	BOLT	2	2	
3	95601-10100	NUT J	2	2	
4	90506-32057	SPRING, tension	1		
	90506-40145	SPRING, tension	1	1	
5	1J7-27311-00	STAND, side	1		~006577
	1J7-27311-01	STAND, side	1	1	006578~
6	90109-10399	BOLT, side stand	1		~006577
	90102-10006	BOLT, side stand (278-27317-00)	1	1	006578~
7	91401-20025	PIN, cotter	1	1	
8	90171-10012	NUT, castle	1	1	
9	90506-26124	SPRING, tension	1		~006577
	90506-28146	SPRING, tension	1	1	006578~
10	278-27314-00	STOPPER, side stand	1		
11	1J7-27410-02	FRONT FOOTREST ASS'Y, left	1	1	
12	1J7-27420-02	FRONT FOOTREST ASS'Y, right	1	1	
13	1J7-27451-00	. FOOTREST, front left	1	1	
14	1J7-27461-00	. FOOTREST, front right	1	1	
15	1J7-27413-00	. COVER, footrest	2		⚠
	1J7-27413-01	. COVER, footrest	2	2	
16	90508-20154	. SPRING, torsion (371-27426-00)	1	1	
17	90508-20155	. SPRING, torsion (371-27456-00)	1	1	
18	90243-08006	. PIN (214-27418-00)	2	2	
19	90201-06042	. WASHER, plate (214-27417-00)	2	2	
20	1J7-27430-00	REAR FOOTREST ASS'Y, left	1		⚠
	1J7-27430-01	REAR FOOTREST ASS'Y, left	1		
	1T4-27430-00	REAR FOOTREST ASS'Y, left	1		
	1J7-27440-00	REAR FOOTREST ASS'Y, right	1		⚠
	1J7-27440-01	REAR FOOTREST ASS'Y, right	1		
	1T4-27440-00	REAR FOOTREST ASS'Y, right	1		

Fig. 24 STAND · FOOTREST



Parts No.	Description	Q'ty		Applicable Machine No.	Remarks
		750D	750D		
447-27431-00	. FOOTREST, rear left	1	1		
447-27441-00	. FOOTREST, rear right	1	1		
447-27433-00	. COVER, rear footrest	2			▽
1J7-27433-00	. COVER, rear footrest left	1	1		
1J7-27444-00	. COVER, rear footrest right	1	1		
90209-18070	. WASHER (447-27437-00)	2	2		
91501-06035	. PIN, clevis	2	2		
91401-16012	. PIN, cotter	2	2		
90185-12046	NUT U	1	2		
92903-12100	WASHER, spring	1			
97303-12025	BOLT, hexagon	1			
371-27315-00	LINK, side stand	1		900577	
90201-12317	WASHER, plate	1			12.230-3.2
97321-12050	BOLT, hexagon	1			