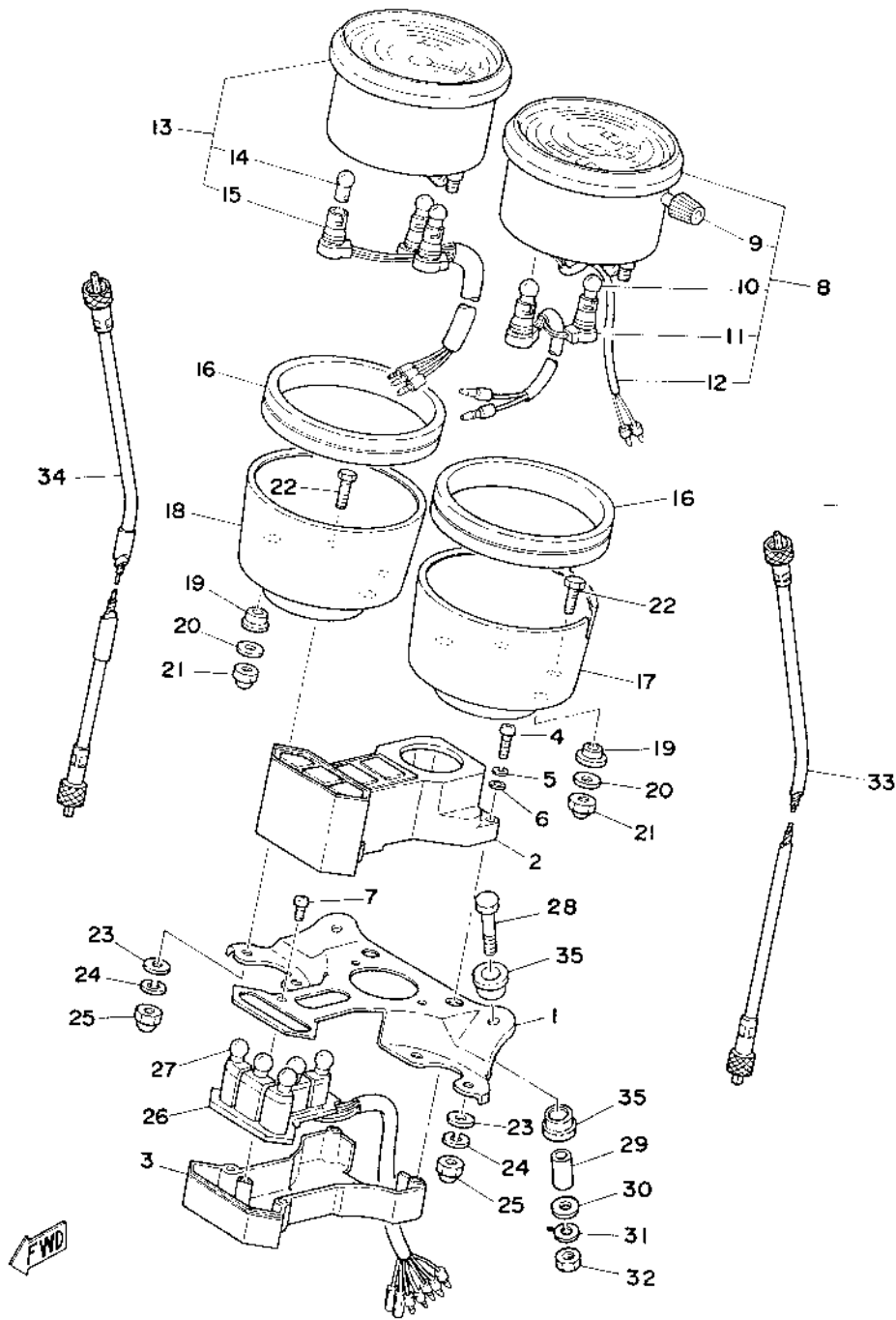


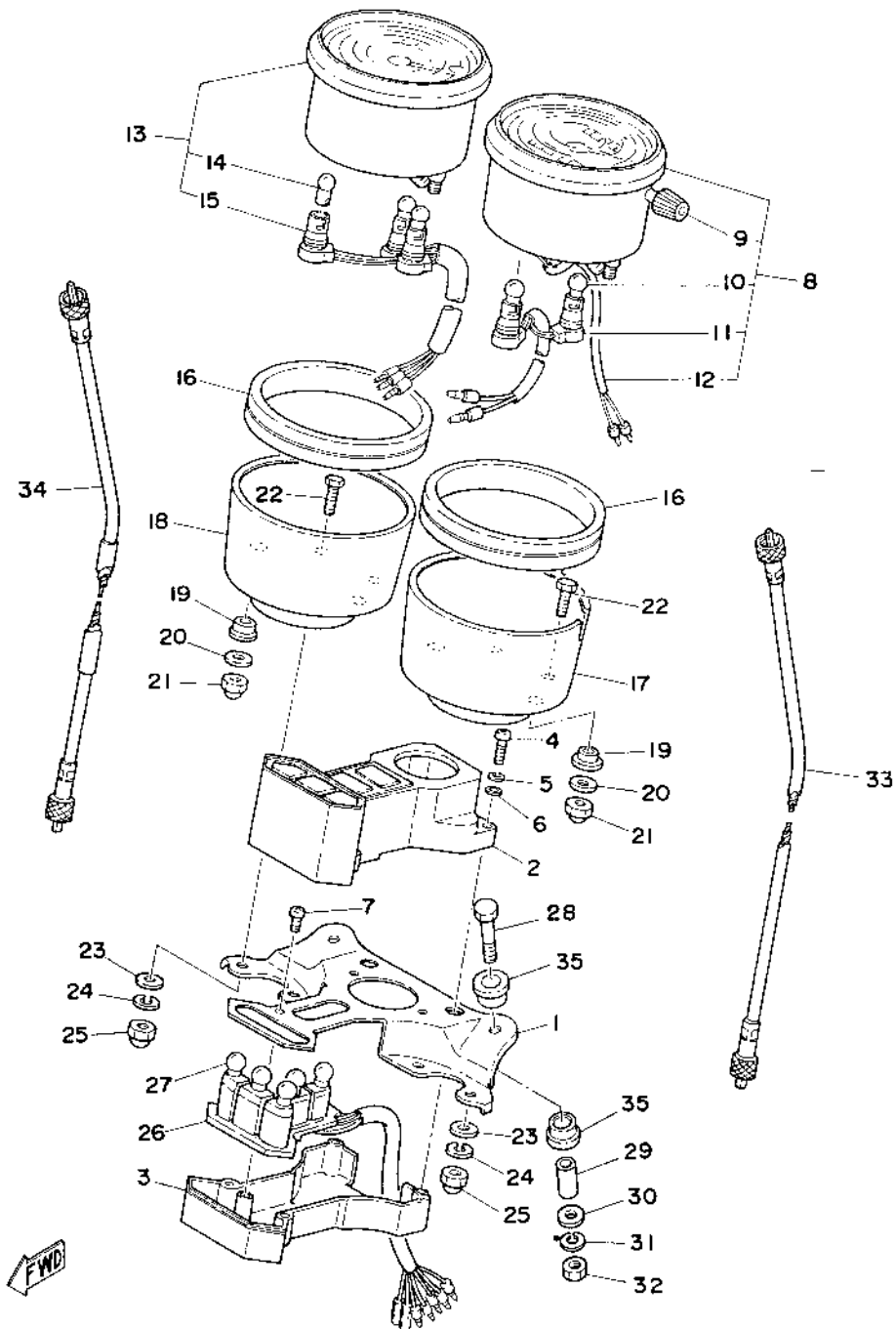
Fig. 41 SPEEDOMETER - TACHOMETER



133

Ref. No.	Parts No.	Description	Q'ty		Remarks
			750D	750 -2D Magnes. No.	
11-1	1J3-83519-00	BRACKET, meter	1	1	
2	1J7-83568-71	PILOT BOX, upper	1	1	
3	1J3-83569-71	PILOT BOX, under	1	1	
4	98506-04020	SCREW, panhead	6	4	
5	92906-04180	WASHER, spring	4	4	
6	92906-04600	WASHER, plate	4	4	
7	98501-05010	SCREW, panhead	1	1	
8	1J3-83570-71	SPEEDOMETER ASS'Y	1	1	Milch
9	584-83578-71	. KNOB, trip meter	1	1	
10	123-83516-21	. BULB (12V-3.4W)	2	2	
11	584-83536-01	. SOCKET CORD ASS'Y 1	1	1	
12	1J3-83556-01	. SOCKET CORD ASS'Y 4	1	1	
13	1J7-83540-00	TACHOMETER ASS'Y	1	1	
14	123-83516-21	. BULB (12V-3.4W)	3	3	
15	1J3-83520-01	. SOCKET CORD ASS'Y 3	1	1	
16	584-83513-00	DAMPER, meter	2	2	
17	584-83507-00	COVER, speedometer	1	1	
18	584-83508-00	COVER, tachometer	1	1	
19	584-83523-00	DAMPER	4	4	
20	92901-05200	WASHER, plain	4	4	
21	95301-05800	NUT, crown	4	4	
22	584-83546-00	BOLT	4	4	
23	92901-06200	WASHER, plain	4	4	
24	92901-06100	WASHER, spring	4	4	
25	95301-06800	NUT, crown	4	4	
26	1J7-83509-70	SOCKET CORD ASS'Y 2	1	1	
27	123-83516-21	BULB (12V-3.4W)	5	5	
28	97306-06040	BOLT	2	2	
29	90387-06249	COLLAR	2	2	
30	90201-06380	WASHER	4	2	
31	92901-06100	WASHER, spring	2	2	

Fig. 41 SPEEDOMETER · TACHOMETER



Ref. No.	Parts No.	Description	Q'ty		Remarks
			750	2D	
1-32	95301-06600	NUT, hexagon .....	2	2	
33	177-83550-00	SPEEDOMETER CABLE ASS'Y .....	1	1	
34	177-83560-00	TACHOMETER CABLE ASS'Y .....	1	1	
35	584-83541-00	DAMPER, meter .....	4	4	