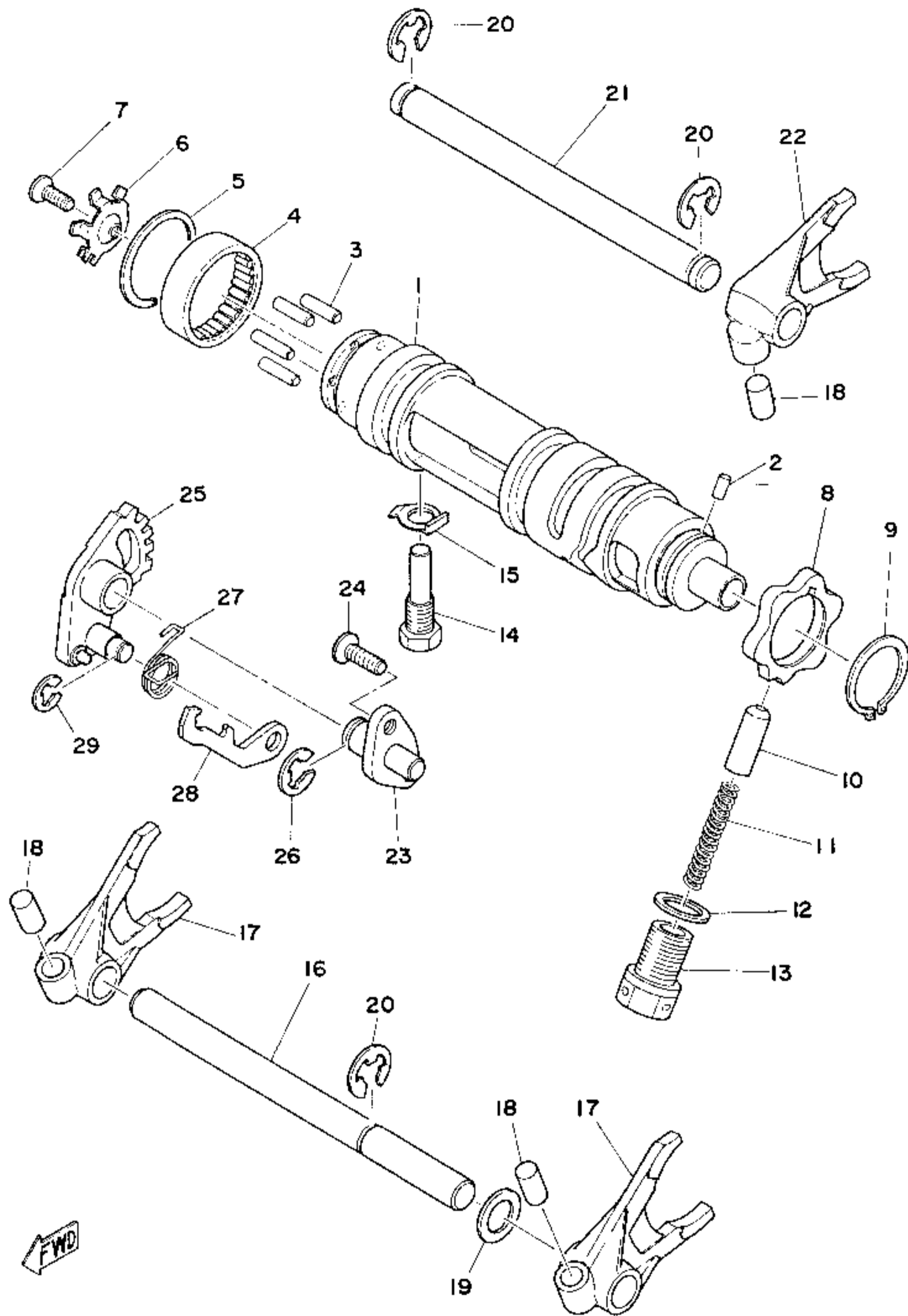
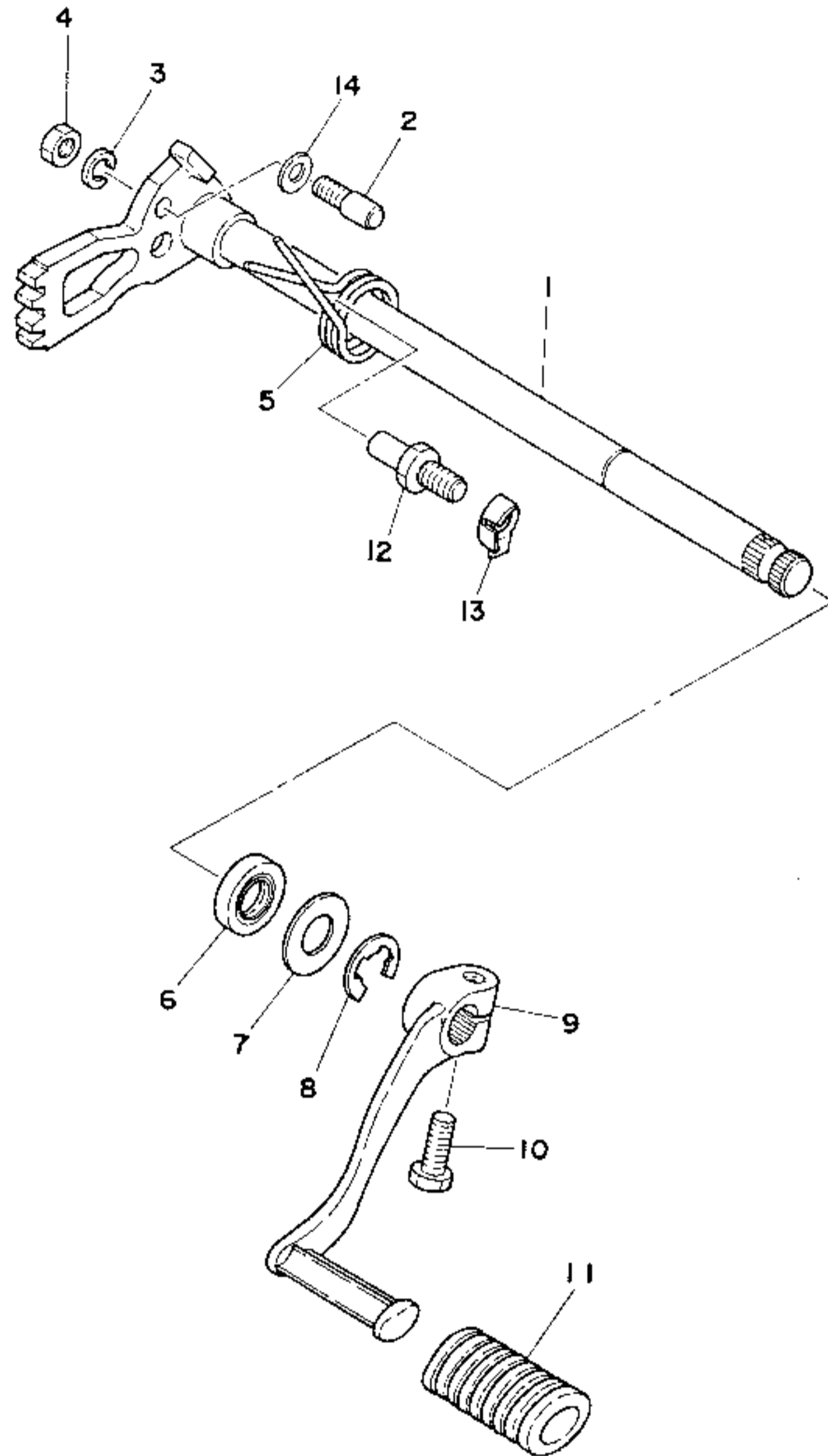


Fig. 13 SHIFTER 1



Q'ty	Parts No.	Description	Q'ty		Remarks
			750D	750 Machine No.	
1	1J7-1854-00	CAM, shift	1	1	
2	93604-08071	PIN, dowel (4-8)	1	1	
3	93604-18058	PIN, dowel (4-17,8)	4	4	
4	93315-23612	BEARING	1	1	
5	93410-34025	CIRCLIP (346 special)	1	1	
6	1J7-18561-00	PLATE, side	1	1	
7	98701-05012	SCREW, flathead	1	1	
8	360-18141-01	PLATE, stopper	1		
	1J7-18141-02	PLATE, stopper	1	1	
9	93410-38012	CIRCLIP (S-30)	1	1	
10	1J7-18547-00	STOPPER, cam	1	1	
11	90501-10196	SPRING, compression	1	1	
12	1J7-15353-00	GASKET, drain plug	1	1	
13	90149-11066	SCREW (328-14577-00)	1	1	
14	90109-10437	BOLT	1	1	
15	90215-10123	WASHER, lock	1	1	
16	1J7-18531-00	BAR, shift fork guide 1	1	1	
17	1J7-18512-00	FORK, shift 2	2	2	
18	90250-08017	PIN, cam follower (278-18552-00)	3	3	
19	647-45533-00-10	WASHER, plate (12-22-1.0)	1	1	
20	93430-10016	CIRCLIP (E-10)	3	3	
21	1J7-18535-00	BAR, shift fork guide 2	1	1	
22	1J7-18511-00	FORK, shift 1	1	1	
23	1J7-18197-00	SHAFT, shift lever	1	1	
24	92701-06018	SCREW, flathead	2	2	
25	1J7-18122-01	LEVER, shift 2	1	1	
26	93430-09019	CIRCLIP (E-9)	1	1	
27	90508-10312	SPRING, torsion	1	1	
28	1J7-18151-00	LEVER, shift 3	1	1	
29	93430-07012	CIRCLIP (E-7)	1	1	

Fig. 14 SHIFTER 2



Ref. No.	Parts No.	Description	Q'ty		Remarks
			750D	750 -3D Machine No.	
4-1	177-18101-01	SHIFT SHAFT ASS'Y .....	1	1	
2	90149-06017	SCREW, adjusting (214-18186-00) ....	1	1	
3	92901-06100	WASHER, spring .....	1	1	
4	95301-06600	NUT, hexagon .....	1	1	
5	90508-32052	SPRING, shaft return (214-18134-00) ..	1	1	
6	93102-12106	OIL SEAL (SD-12-22-5) .....	1	1	
7	90201-12575	WASHER, plate .....	1	1	
8	93430-10016	CIRCLIP (E-10) .....	1	1	12-25-8 1/2
9	177-18111-01-93	PEDAL, shift .....	1	1	
10	97301-06020	BOLT, hexagon .....	1	1	
11	132-18113-01	COVER, shift pedal .....	1	1	
12	90109-08441	SCREW, stopper .....	1	1	
13	248-18139-09	WASHER, lock .....	1	1	
14	90201-06636	WASHER, plate .....	1	1	

FWD