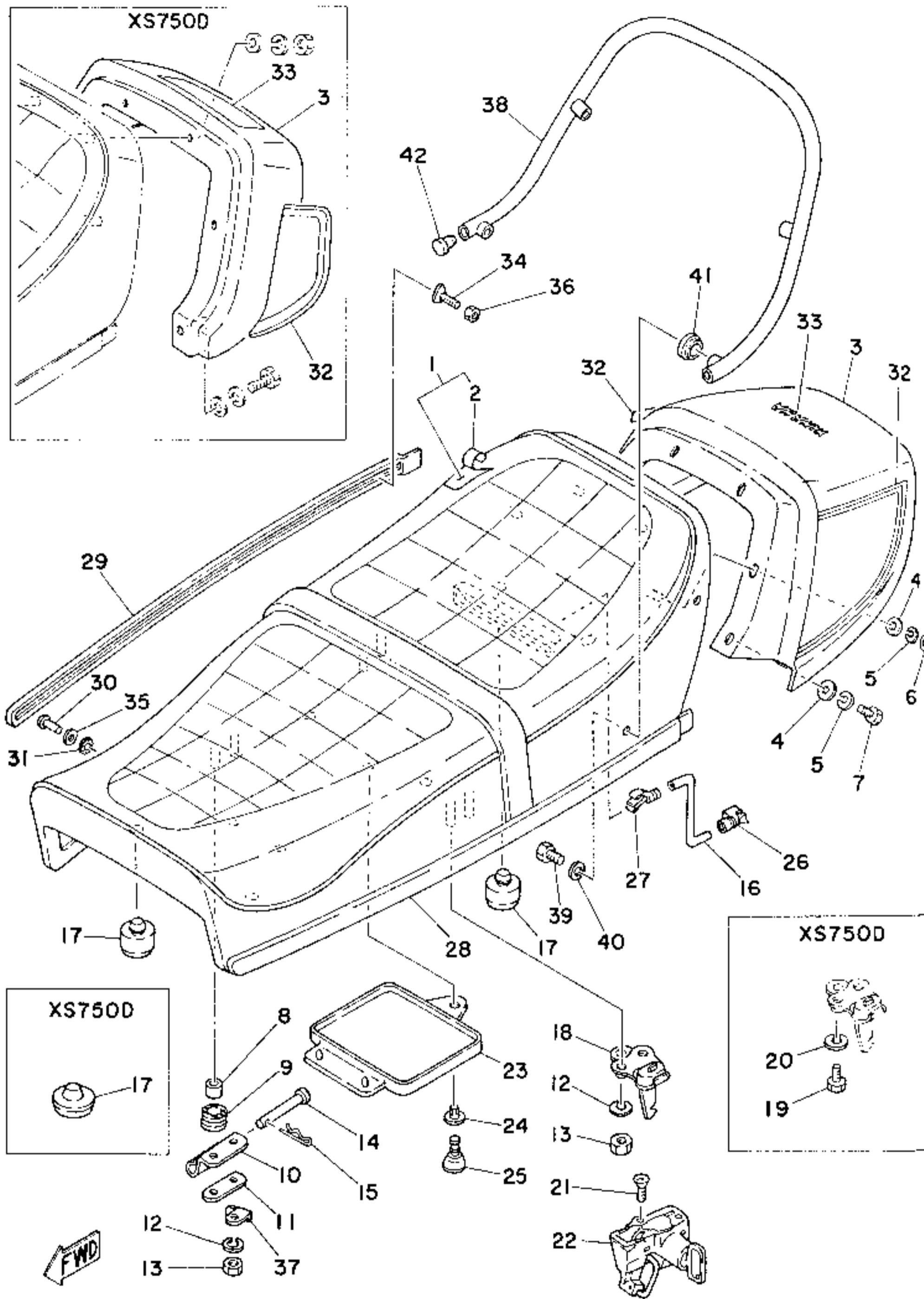
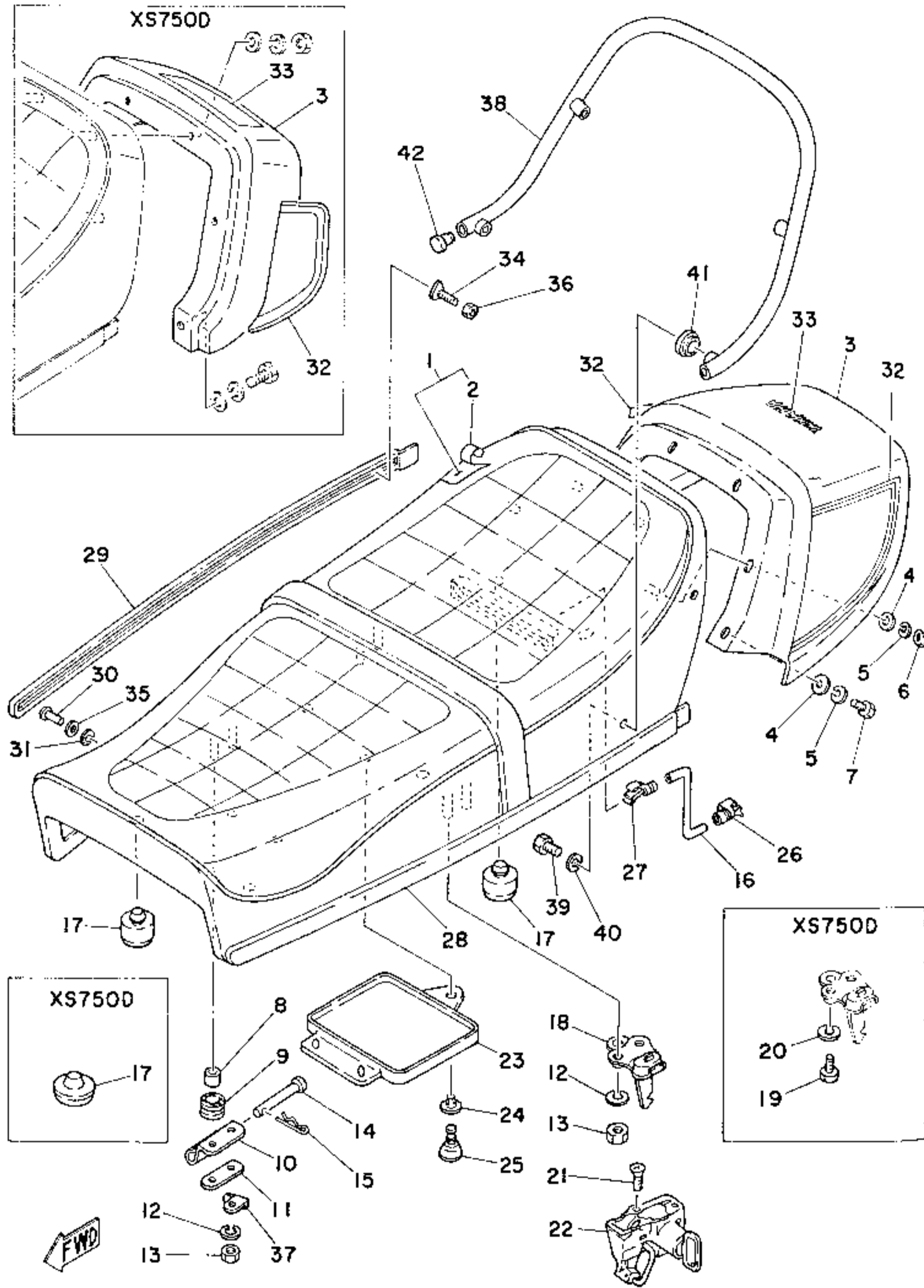


Fig. 34 SEAT



Ref. No.	Parts No.	Description	Q'ty		Remarks
			750D	750 Machine No.	
1	1J7-24730-02	DOUBLE SEAT ASS'Y	1		
	1T4-24730-90	DOUBLE SEAT ASS'Y	1		
2	1J7-24731-00	. COVER, double seat	1		
	1T4-24731-00	. COVER, double seat	1		
3	1J7-24756-01-20	COVER, tail	1		Crystal Silver
	1T4-24756-00-U8	COVER, tail	1		Must Maroon
4	92901-05200	WASHER, plain	6	6	
5	92901-05100	WASHER, spring	6	6	
6	95301-05600	NUT, hexagon	4		
7	97301-05015	BOLT, hexagon	2	2	
8	90387-07390	COLLAR	4	4	
9	1T7-24723-00	DAMPER	4	4	
10	1J7-24726-00	HINGE, seat	2	2	
11	1L9-24746-00	WASHER, seat hinge	2	2	
12	92901-06100	WASHER, spring	6	6	
13	95301-06600	NUT, hexagon	4		
	95301-06600	NUT, hexagon	6		
14	91501-05055	PIN, clevis	2	2	
15	90468-10050	CLIP (156-83525-00)	2	2	
16	1J7-24768-00	STOPPER, seat	1	1	
17	1L9-24741-00	PAD, seat	5		
	1T4-24741-00	PAD, seat	5		
18	371-24728-00	BRACKET, seat	1	1	
19	97301-06012	BOLT, hexagon	2		
20	92901-06100	WASHER, spring	2		
21	92706-06012	SCREW, flathead	2	2	
22	584-24705-00	SEAT LOCK ASS'Y	1	1	
23	341-28185-00	LID	1	1	
24	90480-06007	GROMMET (341-28187-00)	1	1	
25	341-28188-00	PLUNGER	1	1	
26	1J7-24718-00	HOLDER, rod 1	1	1	
27	1J7-24719-00	HOLDER, rod 2	1	1	

Fig. 34 SEAT



Ref. No.	Parts No.	Description	Q'ty		Remarks
			7500	7500	
14-28	1J7-24785-00-20	MOLD, double seat left	1		Crystal Silver
	1T4-24785-00-08	MOLD, double seat left	1		Maxi Maroon
29	1J7-24785-10-20	MOLD, double seat right	1		Crystal Silver
	1T4-24785-10-08	MOLD, double seat right	1		Maxi Maroon
30	1J7-24780-00	RIVET, seat mold	4	4	
31	1J7-24735-00	SPEED NUT, seat mold	4	4	
32	1J7-24757-00	GRAPHIC, tail cover left	1		
	1T4-24757-00	GRAPHIC, tail cover left	1		
	1J7-24767-00	GRAPHIC, tail cover right	1		
	1T4-24767-00	GRAPHIC, tail cover right	1		
33	1J7-24786-00	EMBLEM, tail cover	1		
	1J7-24786-10	EMBLEM, tail cover	1		
34	1J7-24777-00	BOLT, special	4	4	
35	1J7-24722-00	WASHER, special	4	4	
36	95301-04600	NUT, hexagon	4	4	
37	444-24768-00	STOPPER	1		
	444-24768-00	STOPPER	2	2	
38	1T4-24773-00	HANDLE, seat	1		
39	97301-08014	BOLT, hexagon	4		
40	92901-08100	WASHER, spring	4		
41	1T4-24796-00	COVER	4		
42	1T4-24742-00	GRGMMET	2		