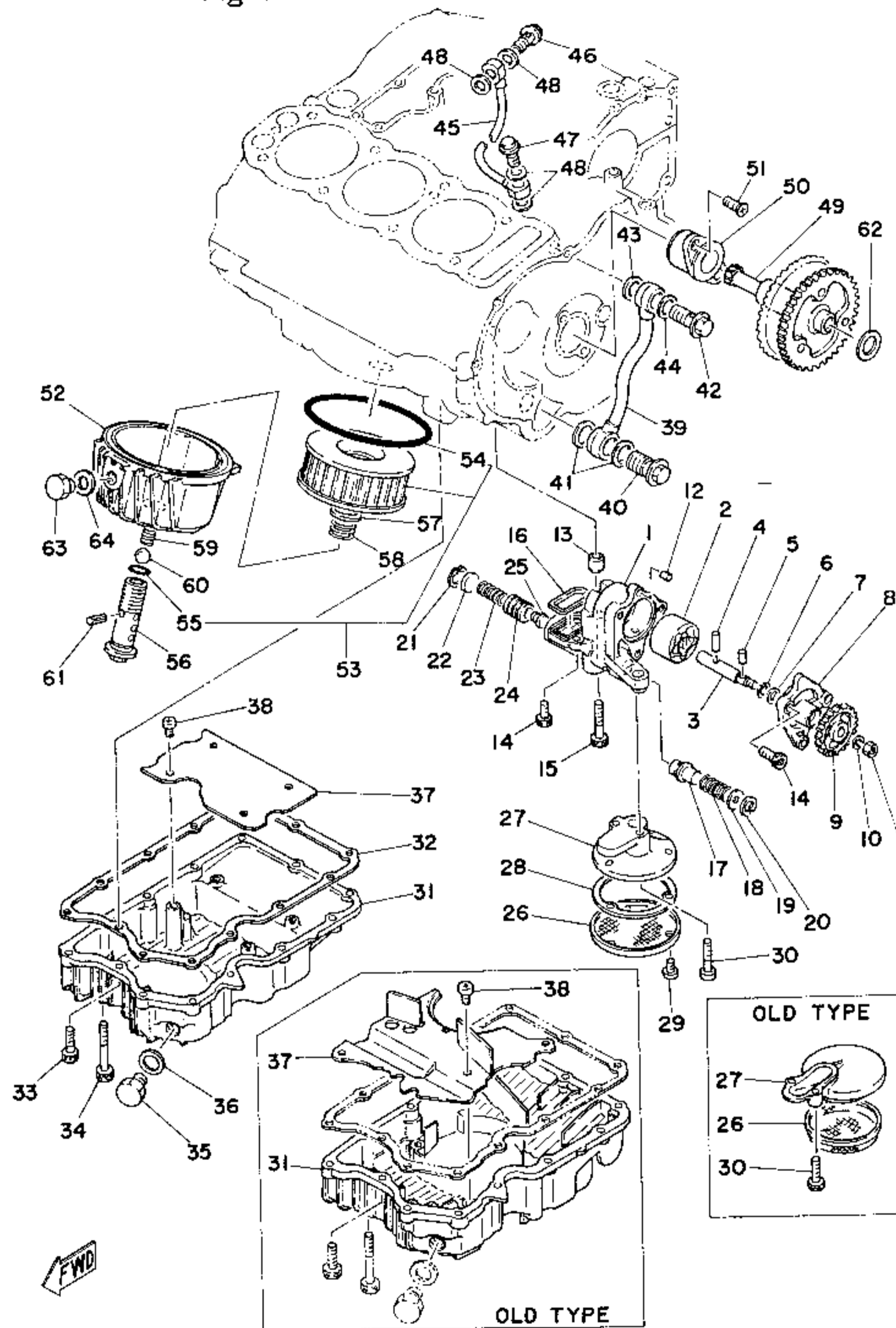
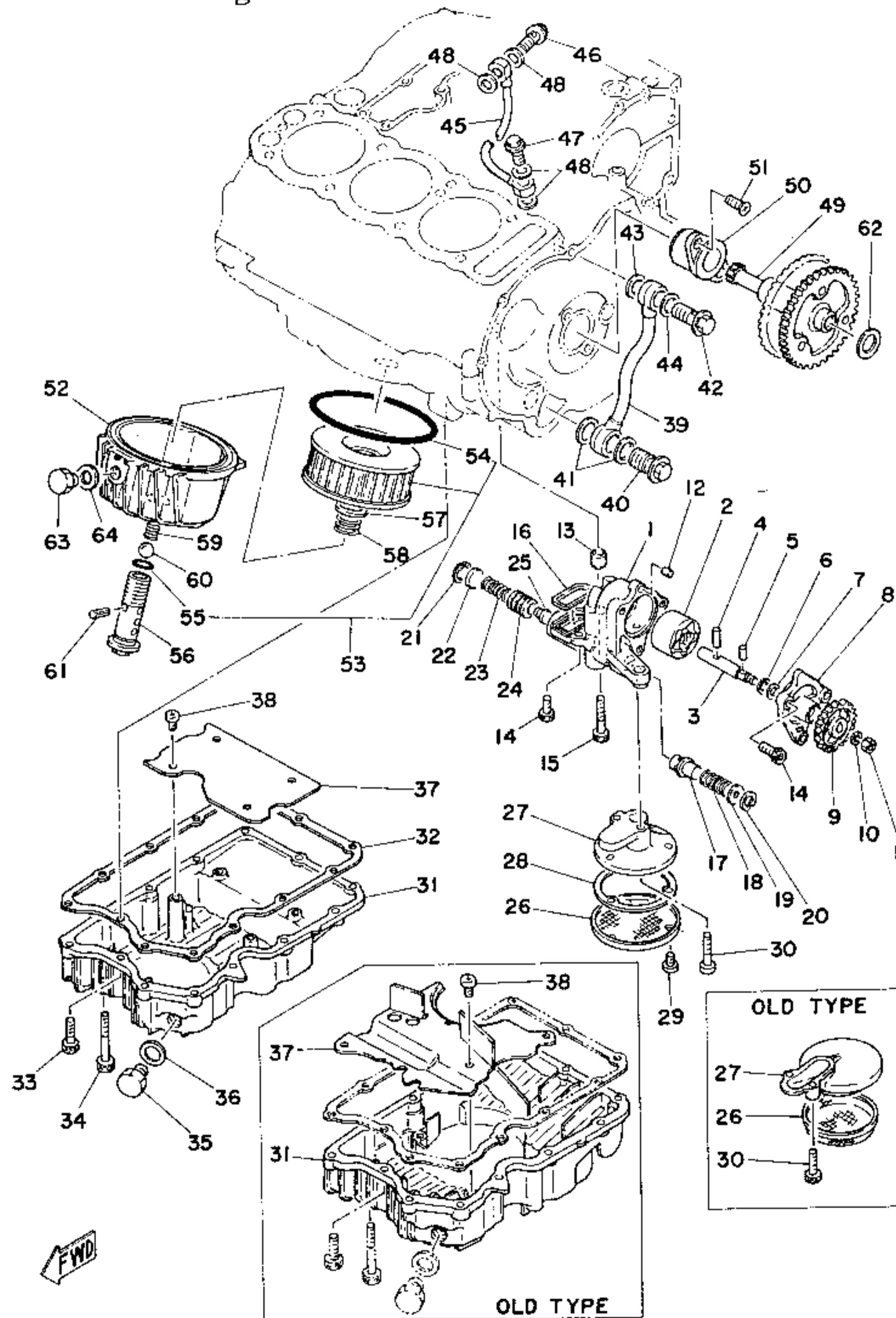


Fig. 9 OIL PUMP · OIL CLEANER



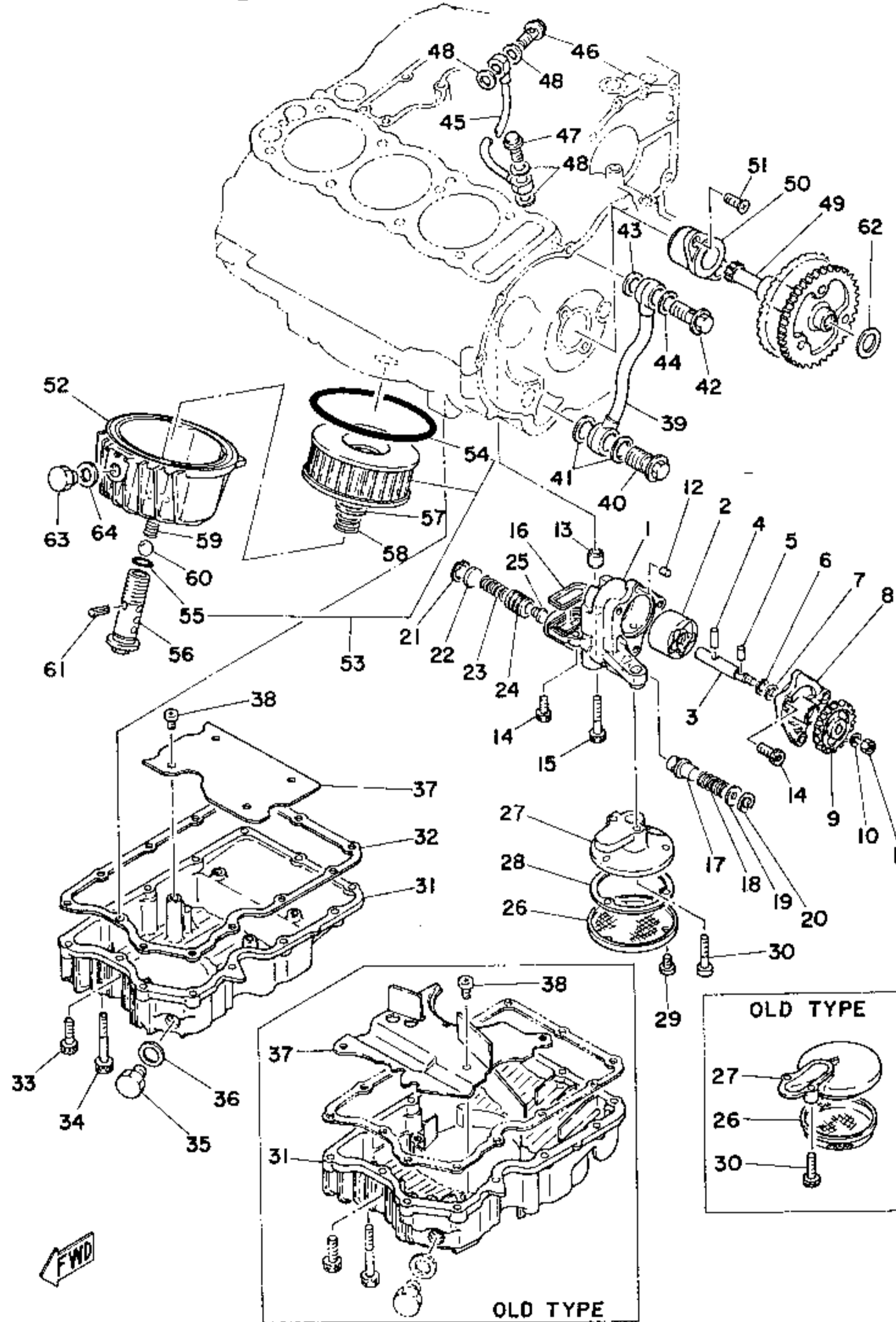
Ref. No.	Parts No.	Description	Q'ty		Applicable Machine No.	Remarks
			750D	750-2D		
9-1	1J7-13336-00	HOUSING, rotor	1	1		
2	341-13320-02	ROTOR ASS'Y	1	1		
3	1J7-13314-01	SHAFT, oil pump	1	1		
4	93603-17070	PIN, dowel (3-16.8)	1	1		
5	93603-12007	PIN, dowel (3-11.8)	1	1		
6	93440-11024	CIRCLIP	1	1		
7	90201-11154	WASHER, plate (341-13318-01)	1	1		
8	1J7-13316-00	COVER, oil pump	1	1		
9	1J7-13326-02	GEAR, pump driven 2	1	1		
10	92901-06100	WASHER, spring	1	1		
11	95303-06600	NUT, hexagon	1	1		
12	93603-07073	PIN, dowel (3-7)	1	1		
13	91810-05016	PIN, dowel (12-8.4-16)	2	2		
14	91316-06020	BOLT, hexagon socket head	4	4		
15	91316-06040	BOLT, hexagon socket head	2	2		
16	1J7-13338-00	SEAL, rotor housing	1	1		
17	1J7-13483-00	PLUNGER, oil pump relief	1	1		
18	1J7-13484-00	SPRING, oil pump relief	1	1		
19	90201-04594	WASHER, plate	1	1		4-16.9-12
20	93420-17046	CIRCLIP (R-17)	1	1		
21	93420-19047	CIRCLIP (R-19)	1	1		
22	90338-19068	PLUG	1	1		
23	90501-10412	SPRING, compression	1	1		
24	1J7-13468-00	PLUNGER, oil pump	1			
	1J7-13468-01	PLUNGER, oil pump	1	1		
25	1J7-13479-00	SEAT, check valve	1	1		
26	1J7-13411-00	STRAINER, oil	1			
	1J7-13411-01	STRAINER, oil	1	1		
27	1J7-13412-00	HOUSING, strainer	1			
	1J7-13412-01	HOUSING, strainer	1	1		
28	1J7-13415-00	SEAL, strainer	1	1		
29	98501-05012	SCREW, panhead	3	3		

Fig. 9 OIL PUMP - OIL CLEANER



P. No.	Parts No.	Description	Qty		Remarks
			750D	750 Machine No.	
30	91316-06025	BOLT, hexagon socket head	2		
	91316-06035	BOLT, hexagon socket head	2	2	
31	1J7-13417-00	COVER, strainer	1		
	1J7-13417-01	COVER, strainer	1	1	
32	1J7-13414-00	GASKET, strainer cover	1	1	
33	91316-06025	BOLT, hexagon socket head	12	12	
34	91316-06055	BOLT, hexagon socket head	1	1	
35	90340-14043	PLUG, drain	1	1	
36	214-11198-01	GASKET	1	1	
37	1J7-13337-00	BUFFLE PLATE, lower	1		
	1J7-13337-01	BUFFLE PLATE, lower	1	1	
38	92501-06012	SCREW, panhead	4		
	92501-06010	SCREW, panhead	4	4	
39	1J7-13171-00	PIPE, delivery 2	1	1	
40	90401-18040	BOLT, union	1	1	
41	90430-18130	GASKET	2	2	18.6-24-1.6
42	90401-10039	BOLT, union	1	1	
43	90430-10128	GASKET	1	1	10.5-20-1.6
44	90430-15129	GASKET	1	1	15.6-20-1.6
45	1J7-13161-00	PIPE, delivery 1	1	1	
46	90401-10013	BOLT, union (371-13166-00)	1	1	
47	90401-10004	BOLT, union (256-13166-00)	1	1	
48	90430-10027	GASKET (256-13168-00)	4	4	10-15-1.2
49	1J7-13325-01	GEAR, pump driven 1	1	1	
50	1J7-13313-00	HOUSING, bush	1	1	
51	92701-06018	SCREW, flathead	2	2	
52	1J7-13447-01	COVER, element	1	1	
53	1J7-13440-90	OIL CLEANER ASS'Y	1	1	
54	93211-17317	. O-RING (3.0-117.2)	1	1	
55	93210-16314	. O-RING (2.0-16.5)	1	1	
56	90401-20041	BOLT, union	1	1	
57	90201-20277	WASHER, plate (136-15669-00)	1	1	20.2-30-1.0

Fig. 9 OIL PUMP · OIL CLEANER



Ref. No.	Parts No.	Description	Q'ty		Remarks
			7500	750 Machine No. .2D	
9-58	90501-18433	SPRING, compression	1	1	
59	90501-12413	SPRING, compression	1	1	
60	93501-02018	BALL (1/2 inch)	1	1	
61	91609-20018	PIN, spring	1	1	
62	90201-20276	WASHER, plate (328-17116-00)	1	1	20.2.30-1.0
63	90340-14043	PLUG, drain	1	1	
64	214-11198-01	GASKET	1	1	