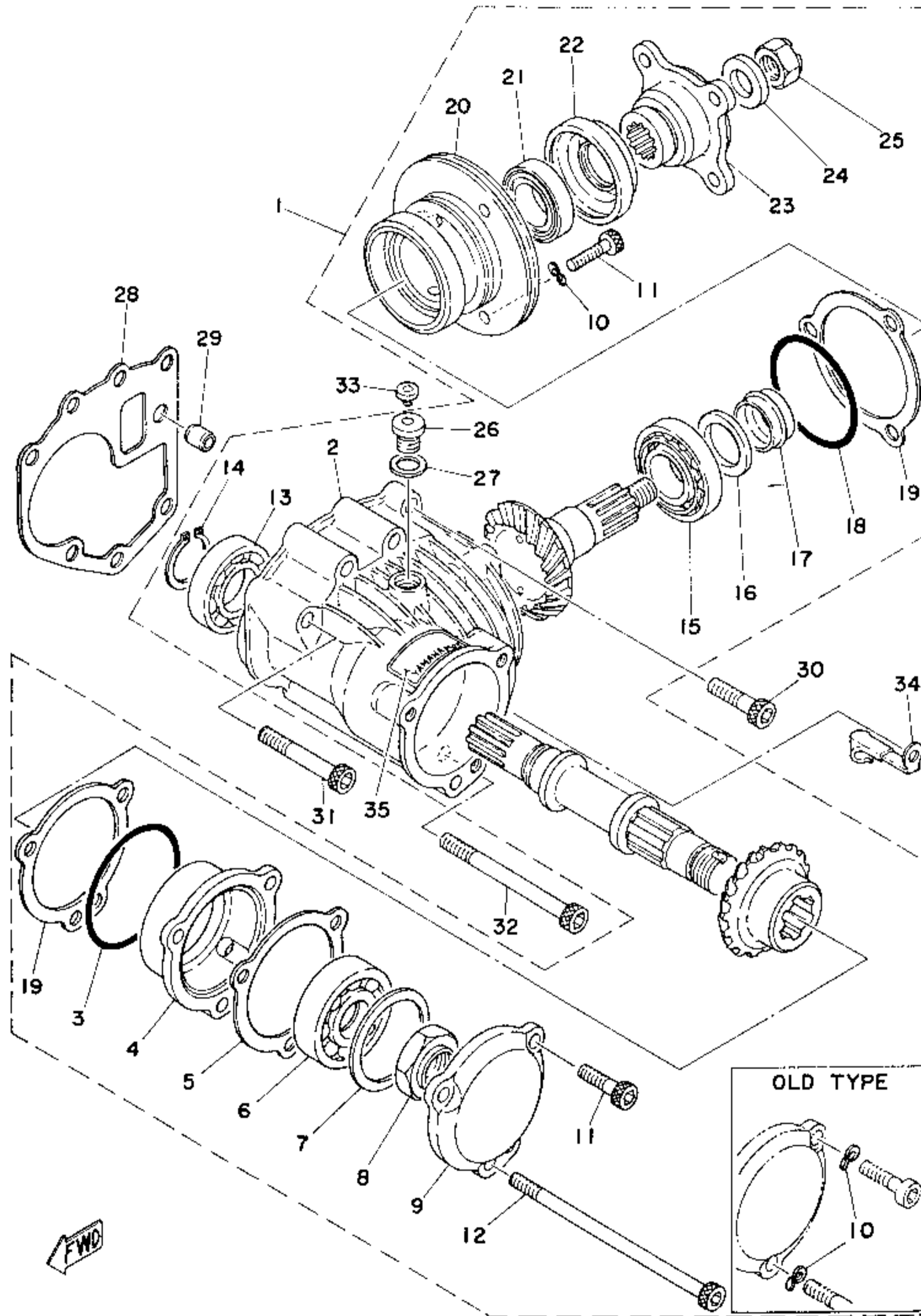
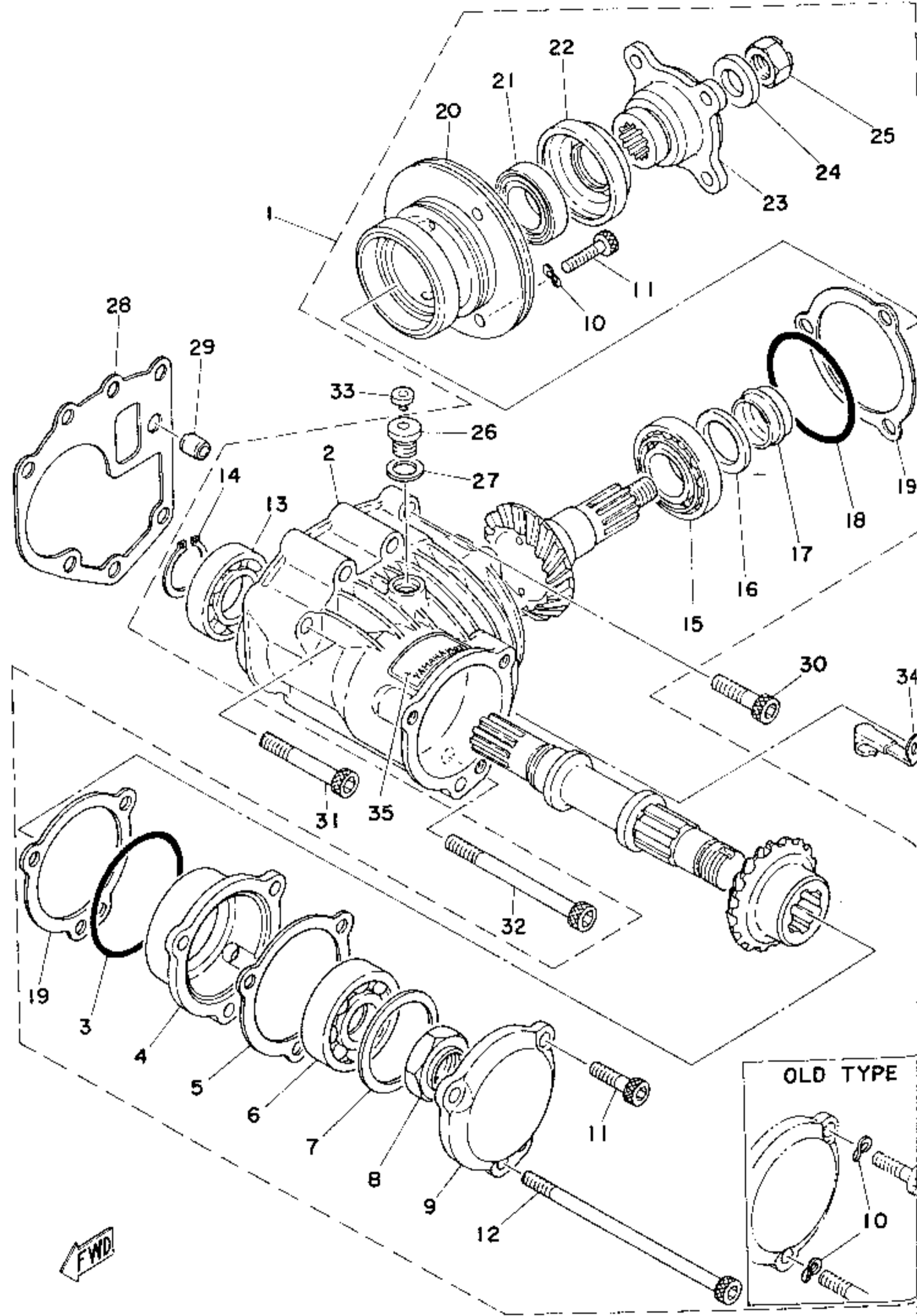


Fig. 12 MIDDLE DRIVE GEAR



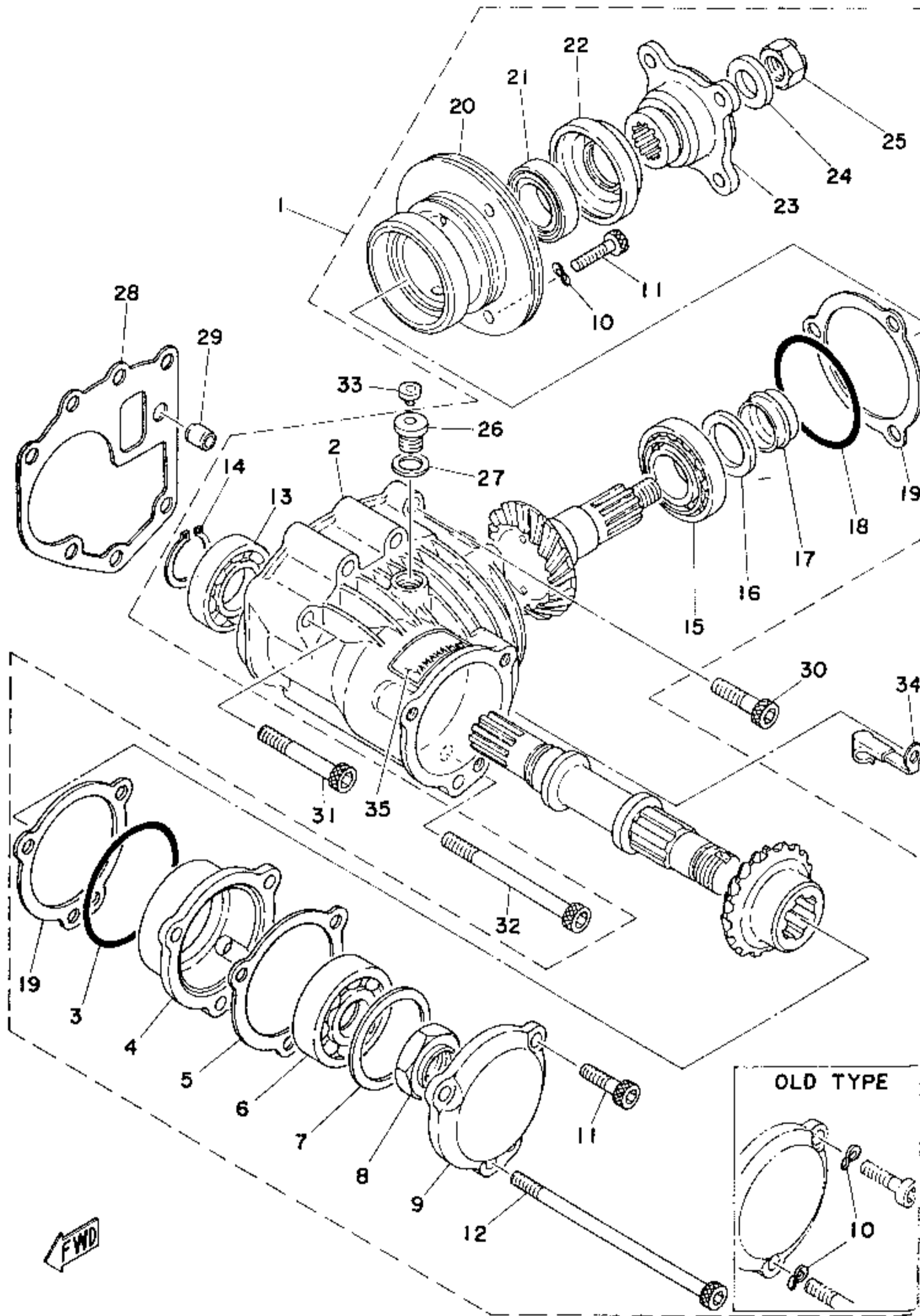
Ref. No.	Parts No.	Description	Q'ty		Remarks
			750D	750 Manual	
2-1	YG4-11000-22-0G	MIDDLE GEAR CASE ASS'Y	1		↙
	1J7-17501-N0	MIDDLE GEAR CASE ASS'Y	1	1	
2	YG4-11011-00-1G	HOUSING, middle gear	1		
	1J7-17511-Y0	HOUSING, middle gear	1	1	
3	YG9-00042-66-1G	O-RING	2		↙
	93210-68347	O-RING	1	1	
4	YG4-11011-10-0G	HOUSING, bearing	1		
	1J7-17521-Y0	HOUSING, bearing	1	1	
5	YG4-11005-40-0G	GASKET, housing cap	1		
	1J7-17519-Y0	GASKET, housing cap	1	1	
6	YG9-00980-27-1G	BEARING (6305 special)	1		↙
	93306-30520	BEARING (6305 RB1)	1	1	
7	YG9-00026-14-4G	SHIM, thrust (50-62-0.15)			↙
	1J7-17537-Y0-15	SHIM, thrust (50-62-0.15)			
	YG9-00009-34-4G	SHIM, thrust (50-62-0.3)			↙
	1J7-17537-Y0-30	SHIM, thrust (50-62-0.3)		U.R U.R	
	YG9-00020-34-4G	SHIM, thrust (50-62-0.4)			↙
	1J7-17537-Y0-40	SHIM, thrust (50-62-0.4)			
	YG9-00009-44-4G	SHIM, thrust (50-62-0.5)			↙
	1J7-17537-Y0-50	SHIM, thrust (50-62-0.5)			
8	YG9-00000-22-9G	NUT	1		↙ M24-P1.5
	90179-24221	NUT	1	1	M24-P1.5
9	1J7-17538-01	CAP, housing	1		
	1J7-17538-Y1	CAP, housing	1	1	
10	YG9-00014-84-1G	WASHER, wave	3		
11	YG9-00020-31-1G	BOLT, hexagon socket head	5		↙ M8-30L
	91316-08030	BOLT, hexagon socket head	5	5	M8-30L
12	YG9-00920-71-1G	BOLT, hexagon socket head	1		↙ M8-160L
	91316-08160	BOLT, hexagon socket head	1	1	M8-160L
13	YG9-00913-37-1G	BEARING (6006C3)	1		↙
	93306-00608	BEARING (6006C3)	1	1	

Fig. 12 MIDDLE DRIVE GEAR



Ref. No.	Parts No.	Description	Qty		Remarks
			750D	750 (21)	
2-14	YG9-00006-35-1G	CIRCLIP (S-30)	1		↙
	93410-30012	CIRCLIP (S-30)	1	1	
15	YG9-00930-37-3G	BEARING, tapered roller	1		↙
	93332-00022	BEARING, tapered roller	1	1	
16	YG4-11709-90-0G	WASHER, plate (25, 4-37-6)	1		↙
	90201-25634	WASHER, plate (25, 4-37-6)	1	1	
17	YG4-11710-60-0G	SPACER, expansion	1		↙
	1J7-17571-Y0	SPACER, expansion	1	1	
18	YG9-00042-66-1G	O-RING	1		↙
	93210-68347	O-RING	1	1	
19	YG4-11710-70-0G	SHIM, pinion (0.10)			L.R. L.R. 2 2
	1J7-17531-Y0-10	SHIM, pinion (0.10)			
	YG4-11708-90-0G	SHIM, pinion (0.15)			
	1J7-17531-Y0-15	SHIM, pinion (0.15)			
	YG4-11707-70-0G	SHIM, pinion (0.30)			
	1J7-17531-Y0-30	SHIM, pinion (0.30)			
20	YG4-11011-40-0G	HOUSING, bearing	1		↙
	1J7-17551-Y0	HOUSING, bearing	1	1	
21	YG9-00906-17-3G	BEARING, tapered roller	1		↙
	93332-00023	BEARING, tapered roller	1	1	
22	YG9-00930-76-0G	OIL SEAL (S-35-63-16.5)	1		↙
	93101-35085	OIL SEAL (S-35-63-16.5)	1	1	
23	YG4-11706-50-1G	FLANGE, middle gear	1		↙
	1J7-17555-Y0	FLANGE, middle gear	1	1	
24	YG4-11709-40-0G	WASHER, plate (14, 1-32-5)	1		↙
	90201-14633	WASHER, plate (14, 1-32-5)	1	1	
25	YG9-00001-62-7G	NUT, self locking	1		↙ M14 P1.5
	90185-14070	NUT, self locking	1	1	M14 P1.5
26	YG9-00006-61-5G	PLUG, oil inlet	1		↙
	90340-14046	PLUG, oil inlet	1	1	
27	YG9-00027-26-2G	GASKET	1		↙
	214-11198-01	GASKET	1	1	

Fig. 12 MIDDLE DRIVE GEAR



Ref. No.	Parts No.	Description	Qty		Remarks
			7500	7500 2D	
12-28	117-17518-00	GASKET, middle gear case	1	1	
29	91810-02015	PIN, dowel (6.4-10-15)	1	1	
30	91316-08035	BOLT, hexagon socket head	1	1	
31	91316-08060	BOLT, hexagon socket head	3	3	
32	91316-08100	BOLT, hexagon socket head	2	2	
33	341-23469-00	CAP, plug	1	1	
34	90465-08114	CLAMP, harness (117-81629-00)	1	1	
35	117-46181-10	LABEL, oil caution	1	1	