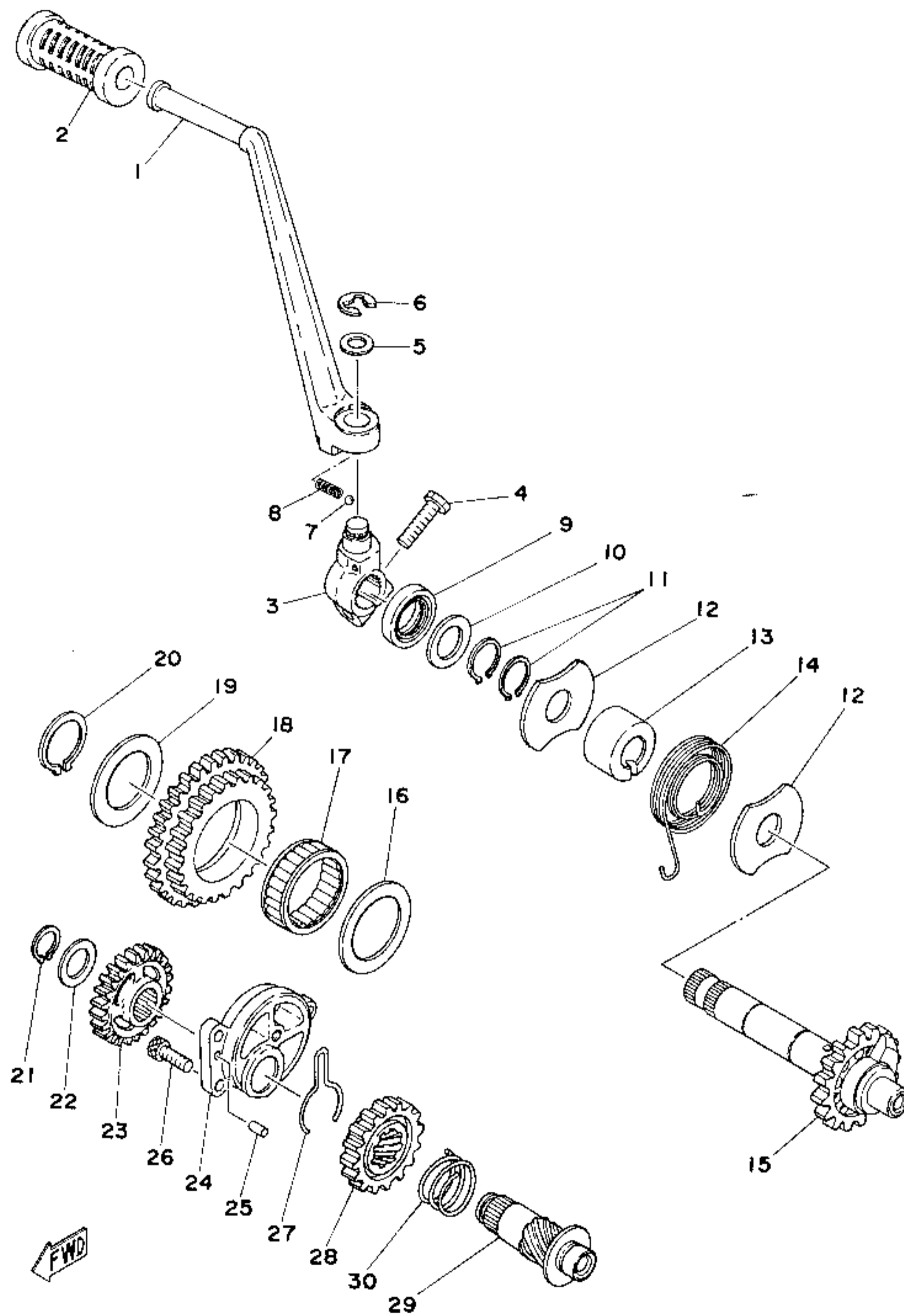
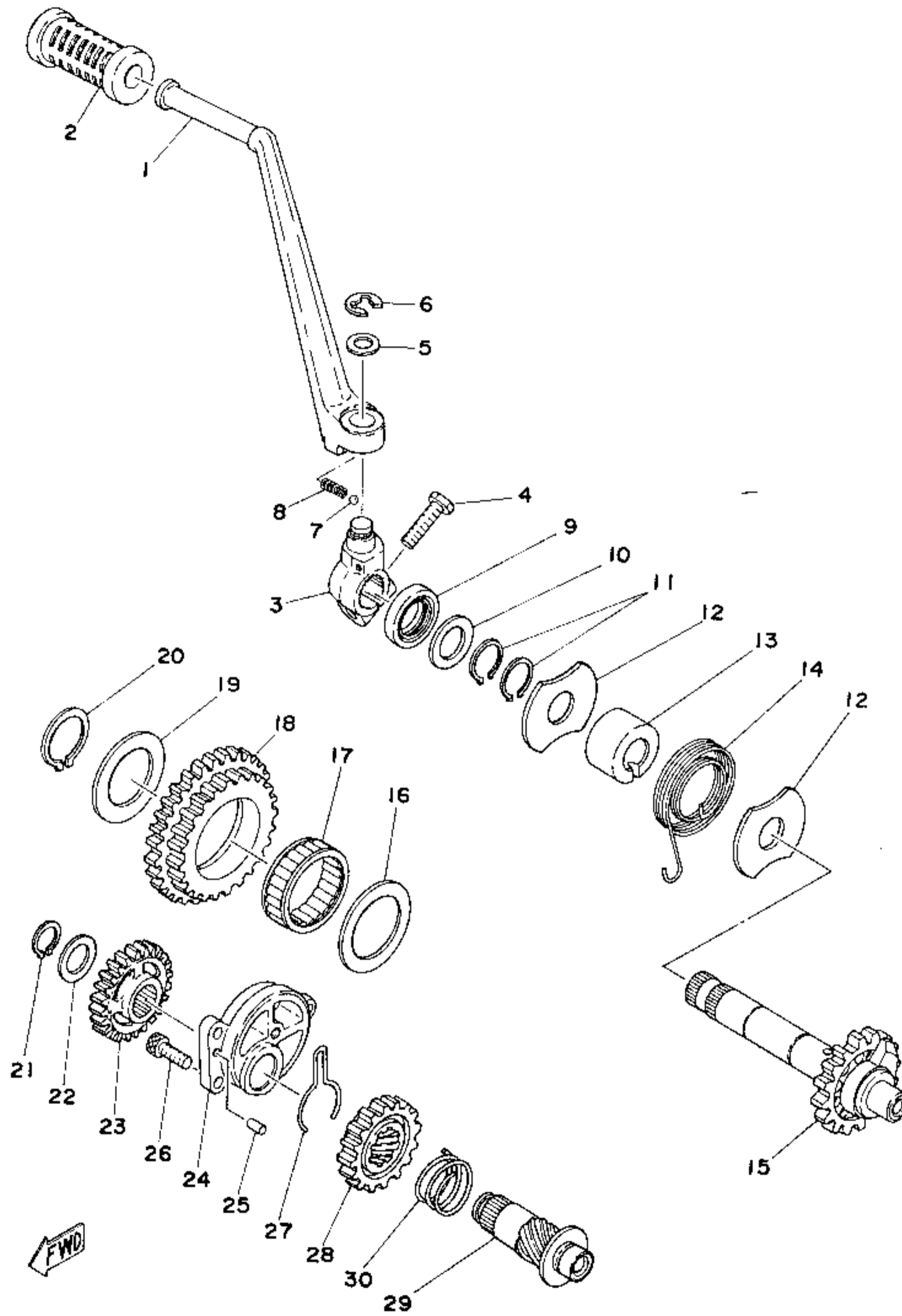


Fig. 15 KICK STARTER



Ref. No.	Parts No.	Description	Q'ty		Remarks
			750D	750 20	
15- 1	278-15611-00-93	CRANK, kick	1	1	
2	156-15618-01	COVER, kick lever	1	1	
3	278-15621-00	BOSS, kick crank	1	1	
4	97321-08030	BOLT	1	1	
5	90201-15234	WASHER, plate (278-15613-00)	1		15.5 24 1.5
	90201-15340	WASHER, plate	1	1	15.5 24 1.5
6	93430-10016	CIRCLIP (E-10)	1	1	
7	93507-32009	BALL (7/32 inch)	1	1	
8	90501-12081	SPRING, compression (278-15632-00)	1	1	
9	93102-20108	OIL SEAL (SD-20-30-7)	1	1	
10	90201-20276	WASHER, plate (328-17116-00)	1	1	20.2 30 1.0
11	93410-20009	CIRCLIP (S-20)	2	2	
12	278-15676-00	COVER, kick spring	2	2	
13	371-15666-00	SPACER	1	1	
14	90508-30051	SPRING, torsion (278-15665-00)	1	1	
15	1J7-15660-00	KICK SHAFT ASS'Y (22T)	1	1	
16	1J7-15644-00	SHIM, kick shaft 1	1	1	40.3 34 0.7
17	93311-84026	BEARING	1	1	
18	1J7-15650-00	KICK IDLE GEAR ASS'Y (38/30T)	1	1	
19	1J7-15645-00	SHIM, kick shaft 2	1	1	35.3 34 0.5
20	93410-35027	CIRCLIP (S-35)	1	1	
21	93410-17037	CIRCLIP (S-17)	1	1	
22	150-17417-00-10	SHIM	1	1	17.25 1.0
23	1J7-15516-01	GEAR, kick 4 (20T)	1	1	
24	1J7-15654-00	HOLDER, kick gear	1	1	
25	93604-10011	PIN, dowel (4-10)	1	1	
26	91318-06020	BOLT, hexagon socket head	3	3	
27	90468-26066	CLIP, special	1	1	
28	1J7-15527-00	GEAR, kick 5 (21T)	1		
	1J7-15527-01	GEAR, kick 5 (21T)	1	1	

Fig. 15 KICK STARTER



Ref. No.	Parts No.	Description	Qty		Remarks
			750	750 20	
29	1J7-15659-00	SHAFT, kick 2	1		
	1J7-15659-01	SHAFT, kick 2	1	1	
30	90501-15469	SPRING, compression	1	1	