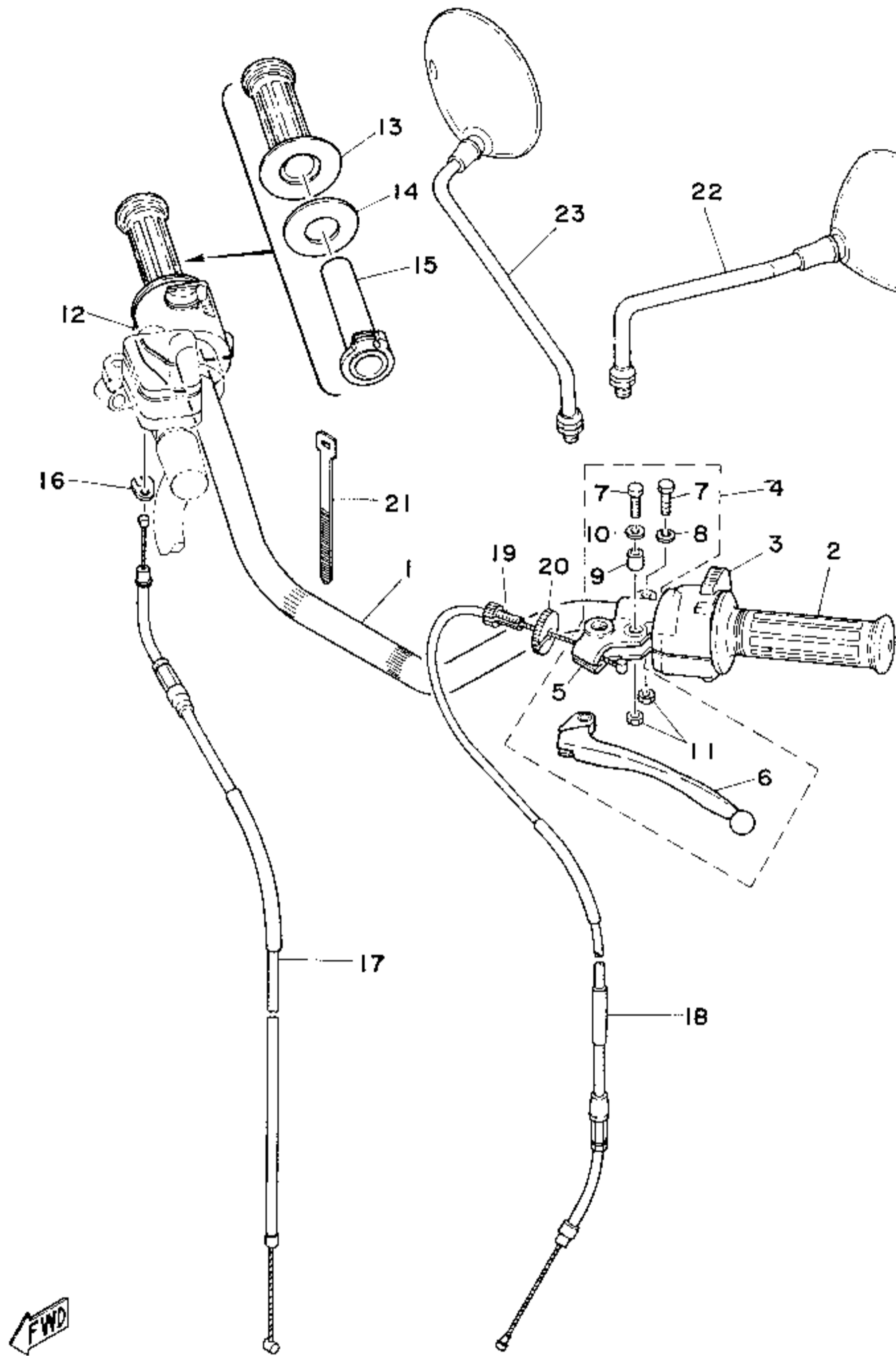


Fig. 31 HANDLE · WIRE



| No. | Parts No.       | Description              | Q'ty |           | Remarks          |
|-----|-----------------|--------------------------|------|-----------|------------------|
|     |                 |                          | 750D | 750<br>2D |                  |
| 1   | 1J7-26111-00    | HANDLE                   | 1    |           |                  |
|     | 1T4-26111-00    | HANDLE                   |      | 1         |                  |
| 2   | 1E6-26241-00    | GRIP, left               | 1    | 1         |                  |
| 3   | 1J7-83973-01-98 | SWITCH, handle 3 left    | 1    | 1         | Low Gloss Black  |
| 4   | 1J3-82910-00    | LEVER HOLDER ASS'Y, left | 1    | 1         |                  |
| 5   | 341-82911-00    | . HOLDER, lever left     | 1    | 1         |                  |
| 6   | 1J3-83912-10    | . LEVER, left            | 1    | 1         |                  |
| 7   | 97301-06022     | . BOLT                   | 2    | 2         |                  |
| 8   | 92901-06100     | . WASHER, spring         | 1    | 1         |                  |
| 9   | 244-83913-00    | . COLLAR, lever          | 1    | 1         |                  |
| 10  | 90201-08083     | . WASHER, plate          | 1    | 1         |                  |
| 11  | 95601-06100     | . NUT U                  | 2    | 2         |                  |
| 12  | 1J7-83963-00-98 | SWITCH, handle 3 right   | 1    | 1         | Low Gloss Black  |
| 13  | 1A0-26242-01    | GRIP, right              | 1    | 1         |                  |
| 14  | 278-26249-00    | RING, leaf               | 1    | 1         |                  |
| 15  | 584-26243-00    | TUBE, guide              | 1    | 1         |                  |
| 16  | 584-26393-01    | HOLDER, wire guide       | 1    | 1         |                  |
| 17  | 1J7-26311-00    | WIRE, throttle (870mm)   | 1    |           |                  |
|     | 1T4-26311-00    | WIRE, throttle (905mm)   |      | 1         |                  |
| 18  | 1J7-26335-00    | WIRE, clutch (1,063mm)   | 1    |           | ↙                |
|     | 1J7-26335-01    | WIRE, clutch (1,090mm)   | 1    |           |                  |
|     | 1T4-26335-00    | WIRE, clutch (1,120mm)   |      | 1         |                  |
| 19  | 90123-08046     | BOLT                     | 1    | 1         |                  |
| 20  | 90179-08148     | NUT (168-26344-00)       | 1    | 1         |                  |
| 21  | 437-83936-00    | BAND, switch cord        | 4    | 4         |                  |
| 22  | 1J7-26290-10    | BACK MIRROR ASS'Y, left  | 1    |           | ↙                |
|     | 1J7-26290-11    | BACK MIRROR ASS'Y, left  | 1    | 1         |                  |
| 23  | 1J7-26290-00    | BACK MIRROR ASS'Y, right | 1    |           | ↙ Optional Parts |
|     | 1J7-26290-01    | BACK MIRROR ASS'Y, right | 1    | 1         |                  |