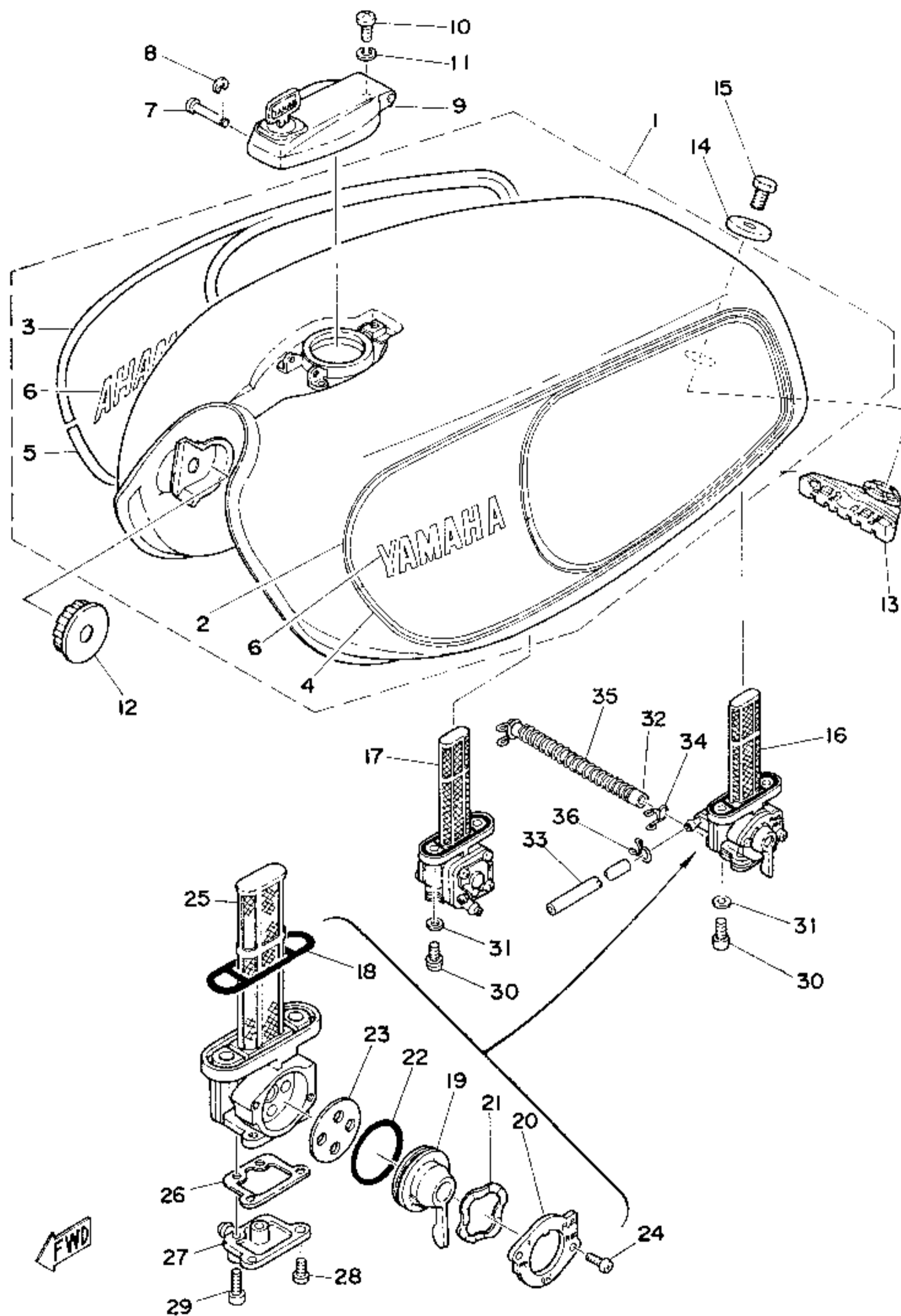


Fig. 33 FUEL TANK



Ref. No.	Parts No.	Description	Qty	Applicable Machine No.	Remarks
11-25	1J7-24514-00	. FILTER	2		⬇
	1J7-24514-01	. FILTER	2	2	
26	1J7-24522-00	. GASKET, drain cover	2	2	
27	1J7-24521-00	. COVER, drain	2	2	
28	98601-04008	. SCREW, ovalhead	4	4	
29	98601-04015	. SCREW, ovalhead	4	4	
30	90149-06008	BOLT, cock connecting (366-24143-00)	4	4	
31	90202-06010	WASHER, protector (178-14766-00) ...	4	4	
32	90445-10133	PIPE, fuel (824-24315-00)	2	2	6-135
33	90445-07176	PIPE, vacuum (395-24317-00)	2	2	4.3-200
34	90467-09006	CLIP, pipe (806-24356-00)	4	4	
35	90504-06023	SPRING, compressor	2	2	
36	90467-07029	CLIP	4	4	