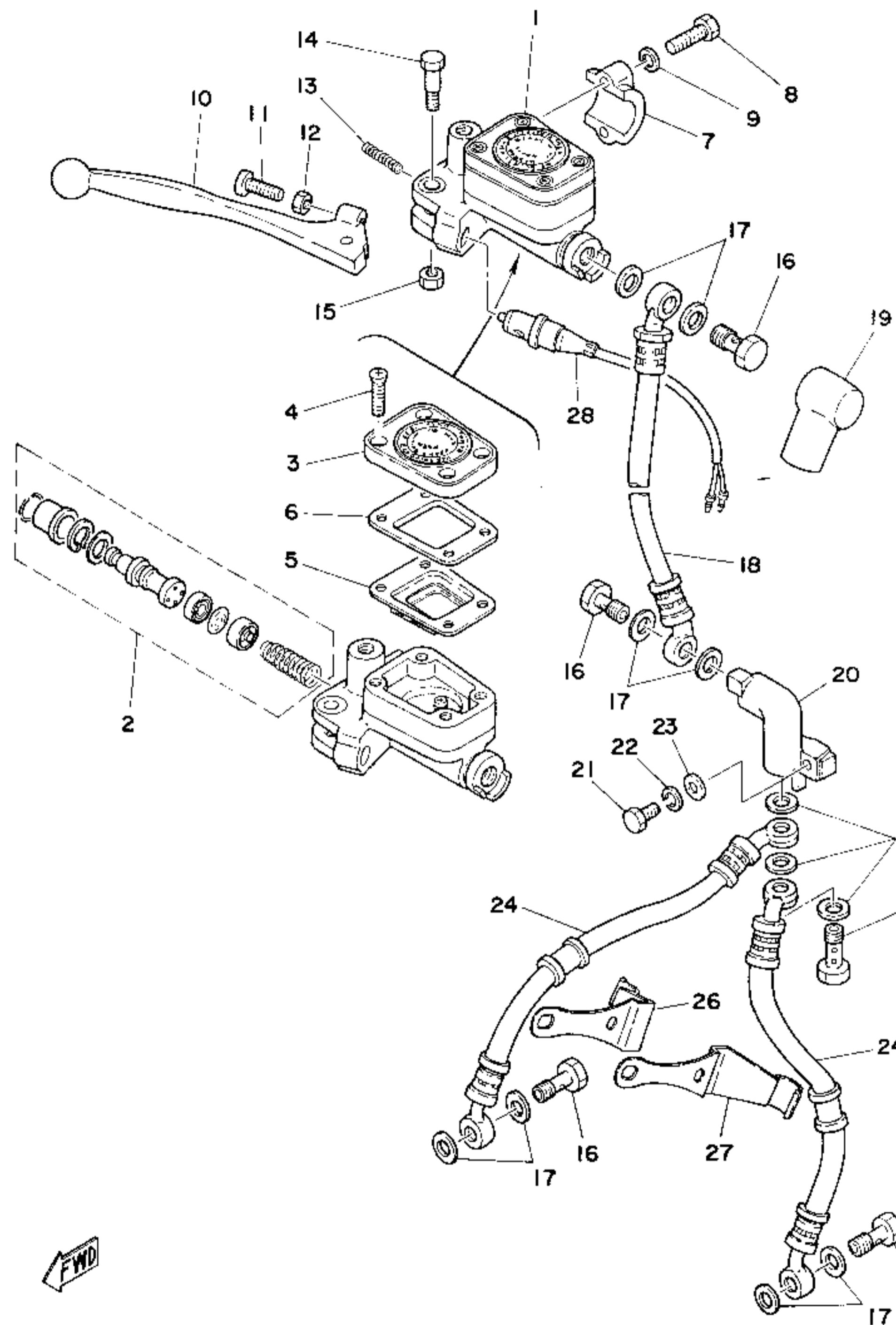


Fig. 32 FRONT MASTER CYLINDER - BRAKE HOSE



Ref. No.	Parts No.	Description	Q'ty		Remarks
			750D	750 Machine No.	
2-1	1J3-25850-20	MASTER CYLINDER ASS'Y, front	1		↓
	1J3-25850-21	MASTER CYLINDER ASS'Y, front	1	1	
2	1J3-20000-40	. CYLINDER KIT, master	1	1	
3	1J3-25852-01	. CAP, reservoir	1	1	
4	90151-05008	. SCREW, cap	4	4	
5	1J3-25854-01	. DIAPHRAGM, reservoir	1	1	
6	1J3-25855-01	. BUSHING, diaphragm	1	1	
7	1J3-25867-00	BRACKET, master cylinder	1	1	
8	97321-06025	BOLT, hexagon	2	2	
9	92901-06100	WASHER, spring	2	2	
10	1J3-83922-10	LEVER, right	1	1	
11	90146-06005	SCREW (306-83928-01)	1		↓
	90146-06008	SCREW	1	1	
12	90170-06010	NUT (306-83927-00)	1	1	
13	90501-10312	SPRING (306-83924-00)	1	1	
14	90109-06465	BOLT	1	1	
15	95301-06700	NUT	1		↓
	95601-06100	NUT U	1	1	
16	90401-10034	BOLT, union	4	4	
17	90201-10118	WASHER (306-25878-00)	11	11	
18	1J7-25872-02	HOSE, brake 1	1		
	1J4-25872-01	HOSE, brake 1	1		
19	306-25862-00	BOOT, master cylinder	1	1	
20	1J7-25885-01	JOINT	1	1	
21	97301-06025	BOLT, hexagon	1	1	
22	92901-06100	WASHER, spring	1	1	
23	92901-06600	WASHER, plate	1	1	
24	1J7-25873-01	HOSE, brake 2	2	2	
25	90401-10044	BOLT, union	1	1	
26	1J7-25875-00	HOLDER, brake hose right	1	1	
27	1J7-25876-00	HOLDER, brake hose left	1	1	
28	1A0-83980-30	FRONT STOP SWITCH ASS'Y	1	1	