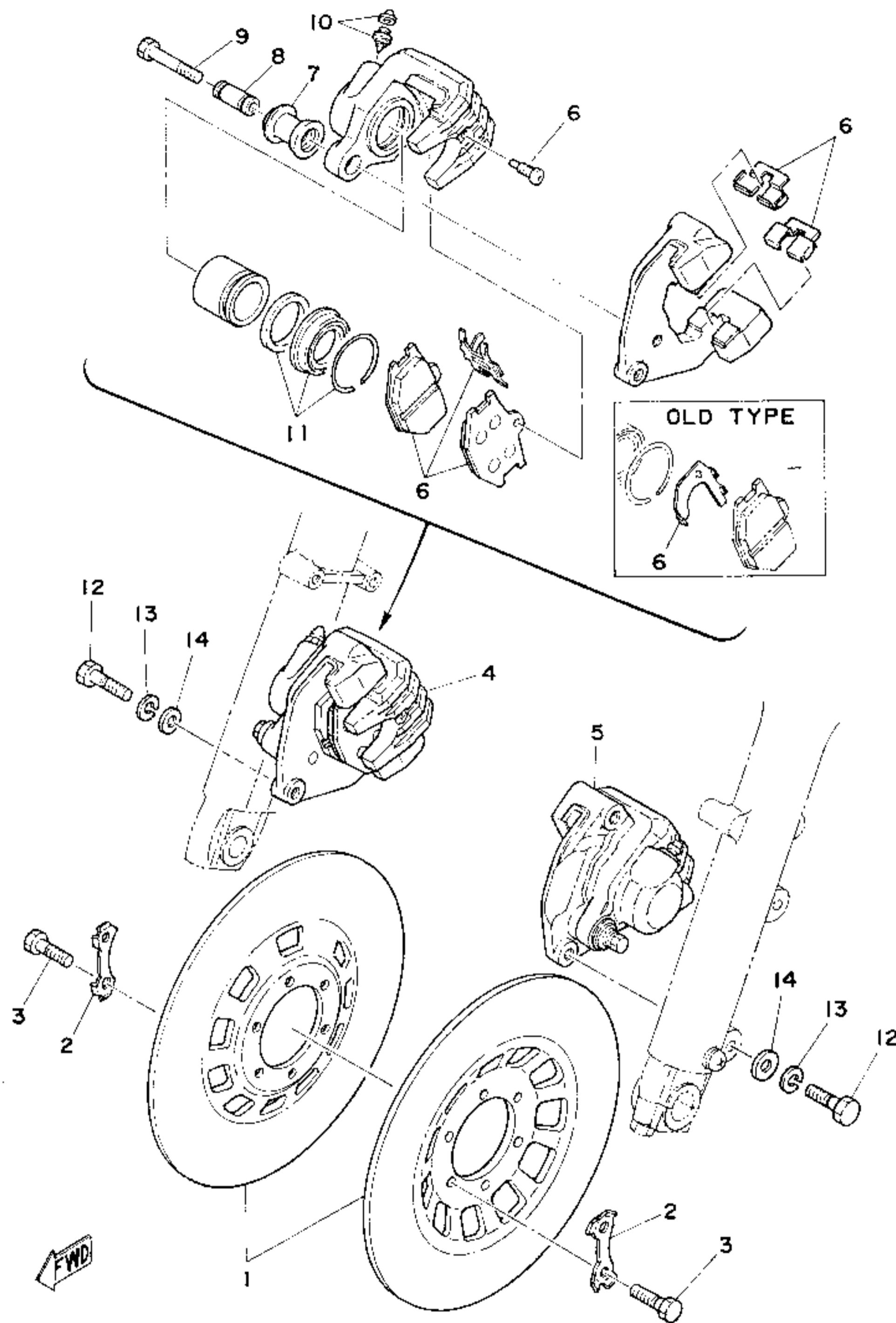


Fig. 36 FRONT DISK BRAKE - CALIPER



| Ref. No. | Parts No.    | Description                | Q'ty |         | Applicable Machine No. | Remarks |
|----------|--------------|----------------------------|------|---------|------------------------|---------|
|          |              |                            | 750D | 750D.2D |                        |         |
| 36- 1    | IJ3-25831-50 | DISK, front brake          | 2    | 2       |                        |         |
| 2        | IJ3-25834-00 | WASHER, lock               | 6    |         |                        | ▽       |
|          | IJ3-25834-01 | WASHER, lock               | 6    | 6       |                        |         |
| 3        | 90101-08307  | BOLT, hexagon              | 12   | 12      |                        |         |
| 4        | IJ3-25810-01 | FRONT CALIPER ASS'Y, right | 1    |         |                        | ▽       |
|          | IJ3-25810-02 | FRONT CALIPER ASS'Y, right | 1    | 1       |                        |         |
| 5        | IJ3-25810-11 | FRONT CALIPER ASS'Y, left  | 1    |         |                        | ▽       |
|          | IJ3-25810-12 | FRONT CALIPER ASS'Y, left  | 1    | 1       |                        |         |
| 6        | IJ3-20000-11 | . CALIPER PAD KIT, right   | 1    |         |                        | ▽       |
|          | IJ3-20000-12 | . CALIPER PAD KIT, right   | 1    |         |                        | ▽       |
|          | IJ3-20000-13 | . CALIPER PAD KIT, right   | 1    | 1       |                        |         |
|          | IJ3-20000-70 | . CALIPER PAD KIT, left    | 1    |         |                        | ▽       |
|          | IJ3-20000-71 | . CALIPER PAD KIT, left    | 1    |         |                        | ▽       |
|          | IJ3-20000-13 | . CALIPER PAD KIT, left    | 1    | 1       |                        |         |
| 7        | IJ3-25917-00 | . BUSHING, boot            | 2    | 2       |                        |         |
| 8        | IJ3-25843-00 | . SLEEVE                   | 2    | 2       |                        |         |
| 9        | 90105-08092  | . BOLT, support            | 2    | 2       |                        |         |
| 10       | IJ3-20000-30 | . SCREW, bleed with cap    | 2    | 2       |                        |         |
| 11       | IJ3-20000-20 | . CALIPER SEAL KIT         | 2    | 2       |                        |         |
| 12       | 90101-10308  | BOLT, hexagon              | 4    | 4       |                        |         |
| 13       | 92901-10100  | WASHER, spring             | 4    | 4       |                        |         |
| 14       | 92901-10200  | WASHER, plate              | 4    | 4       |                        |         |