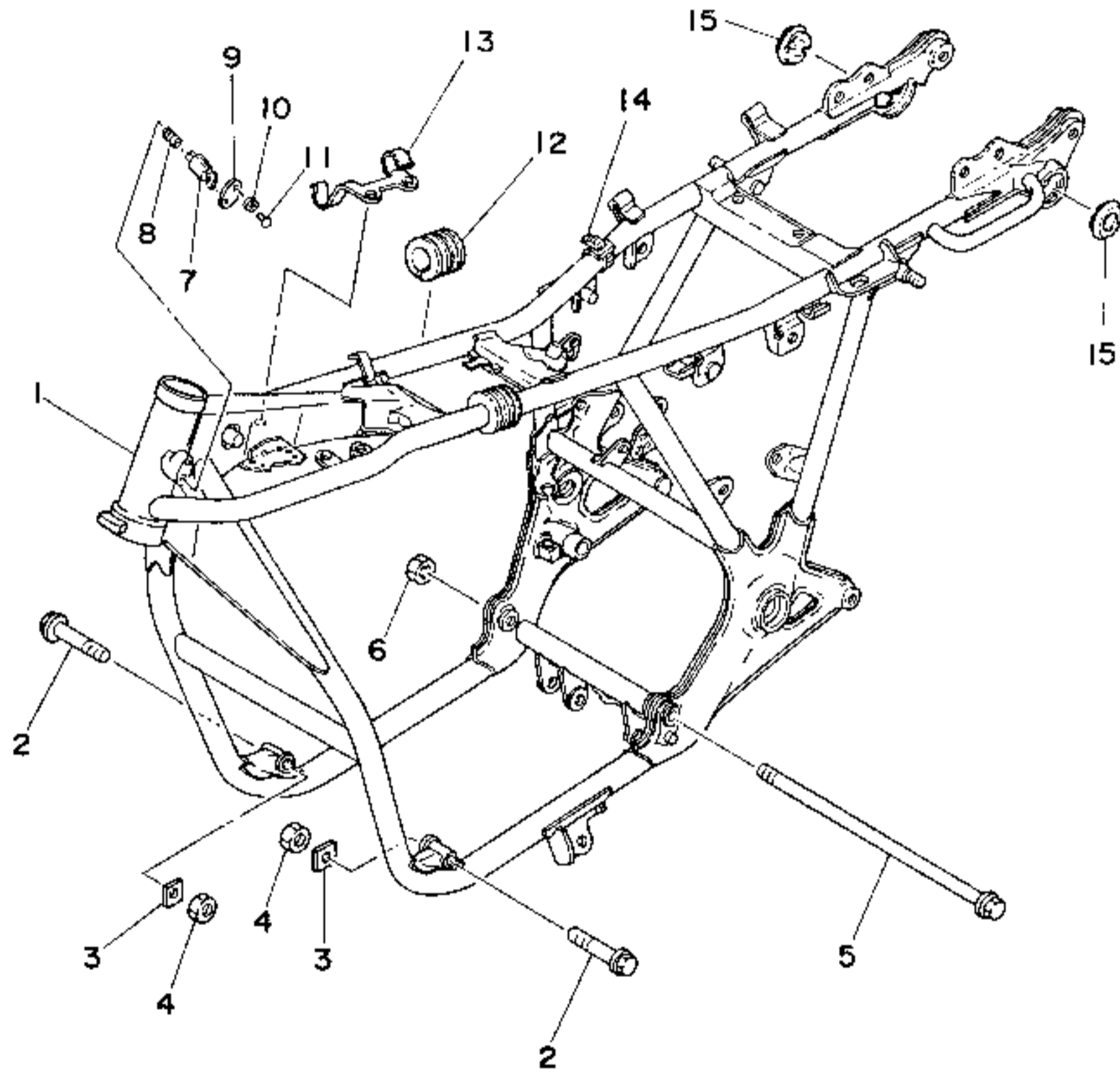
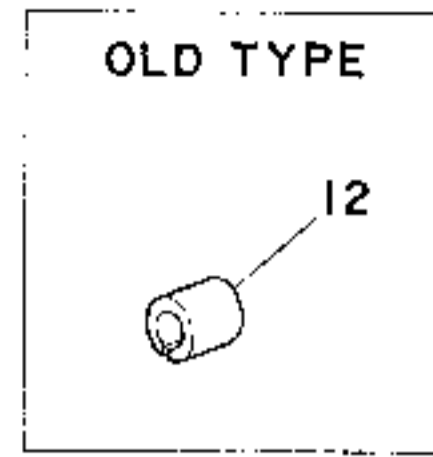


Fig. 22 FRAME



Ref. No.	Parts No.	Description	Q'ty		Applicable Machine No.	Remarks
			750D	750-2D		
2-1	1J7-21110-01-33	FRAME COMP. ....	1		~006577	Yamaha Black
	1J7-21110-02-33	FRAME COMP. ....	1	1	006578~	Yamaha Black
2	95811-10079	BOLT, flange ....	2	2		
3	90209-10147	WASHER ....	2	2		
4	95601-10100	NUT U ....	2	2		
5	90109-12353	BOLT ....	1	1		
6	95611-12100	NUT U ....	1	1		
7	584-23498-00	STEERING LOCK ASS'Y ....	1	1		
8	90502-09024	SPRING, conical ....	1			▽
	90502-08005	SPRING, conical ....	1	1		
9	584-23484-01	CAP, handle lock ....	1	1		
10	90206-04003	WASHER, wave (214-23488-00) ....	1	1		
11	90269-04003	RIVET (214-23483-00) ....	1	1		
12	1J7-24183-01	DAMPER, locating 3 ....	2			▽
	1J7-24183-02	DAMPER, locating 3 ....	2	2		
13	1J7-82594-01	CLAMP, wire harness ....	1	1		
14	437-83936-10	BAND, switch cord ....	3	3		
15	90338-36077	PLUG ....	2			

(NOTE) 1J7-21110-01-33 FRAME COMP. is interchangeable with 1J7-21110-02-33 plus following parts.

1J7-27311-01	STAND, side	1 pc.
90102-10006	BOLT, side stand	1 pc.
90506-28146	SPRING, side stand	1 pc.