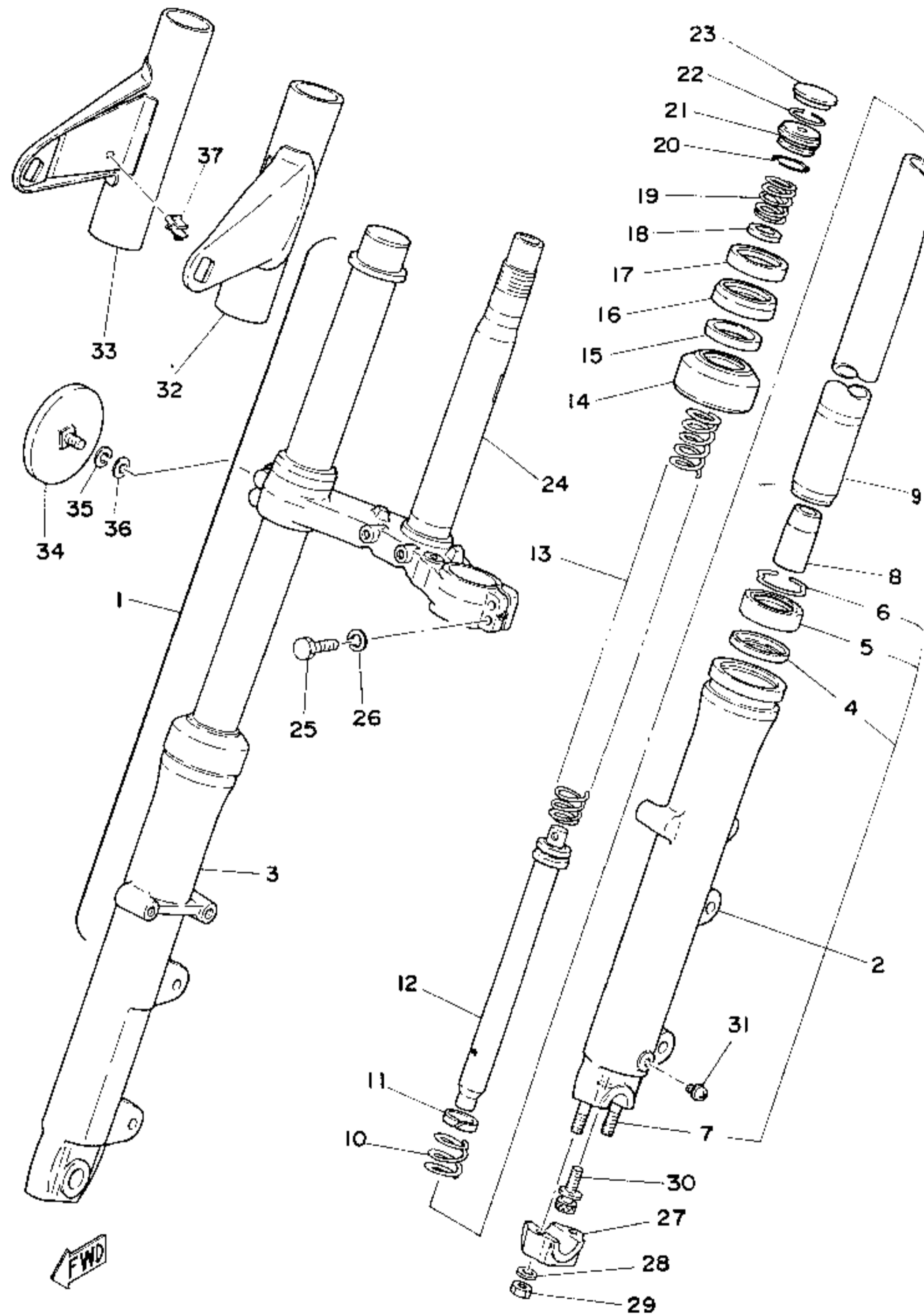


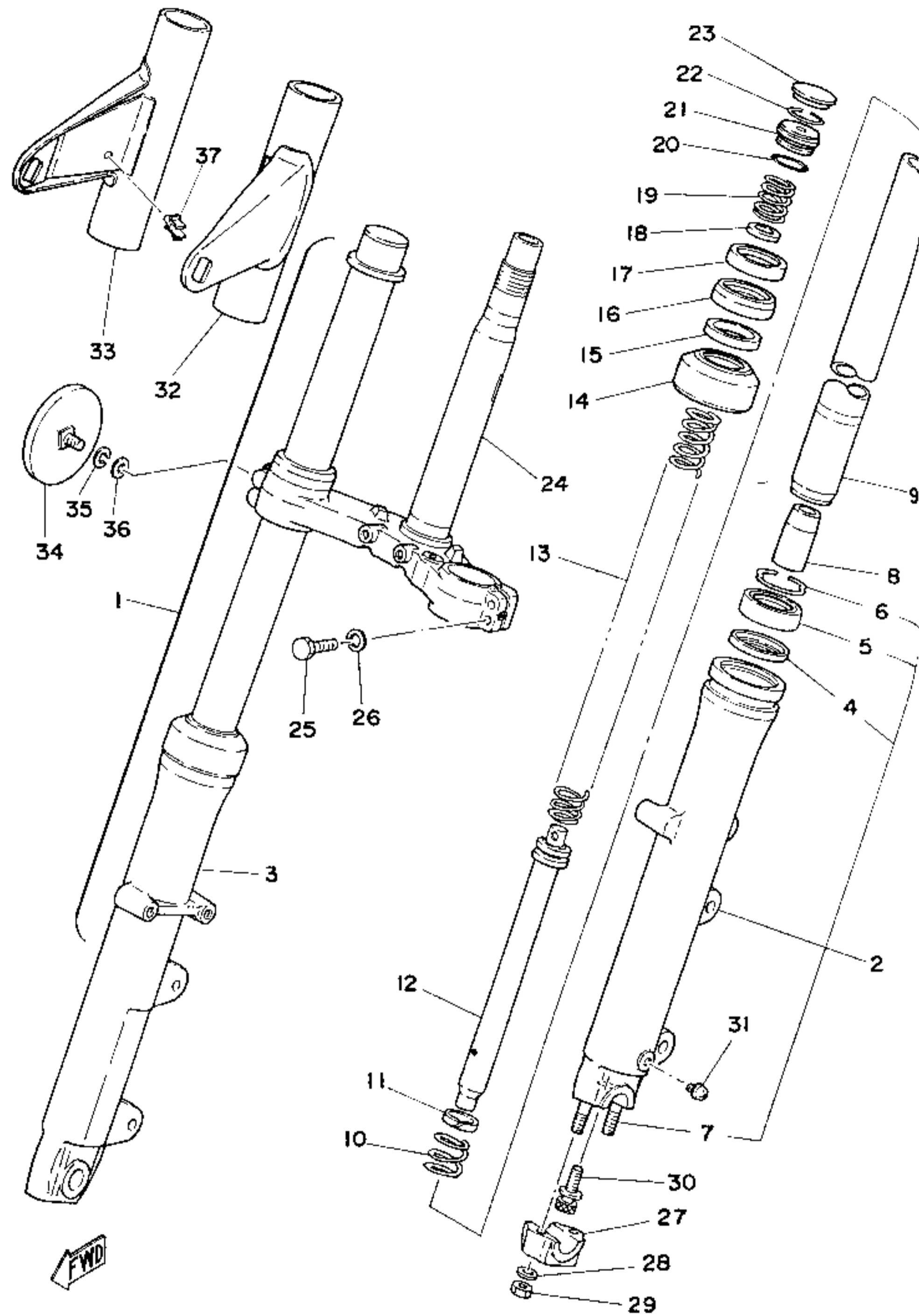
Fig. 29 FRONT FORK (XS750D)



Af. No.	Parts No.	Description	Q'ty		Remarks
			750D	750D 2D	
1	1J7-23101-02	FRONT FORK ASS'Y	1		
2	1J7-23126-02	. FORK TUBE, outer left	1		
3	1J7-23136-02	. FORK TUBE, outer right	1		
4	1J7-23147-00	. . SEAL, spacer	2		
5	1J3-23145-00	. . OIL SEAL	2		
6	1J3-23156-00	. . STOPPER RING, oil seal	2		
7	1E7-23128-00	. . BOLT, stud	2		
8	1J3-23166-00	. . PIECE, oil lock	2		
9	1J7-23110-02	. INNER TUBE COMP.	2		
10	1J3-23151-00	. SPRING, rebound	2		
11	1J3-23157-00	. RING, front fork piston	2		
12	1J7-23170-02	. CYLINDER COMP., front fork	2		
13	1J7-23141-02	. SPRING, front fork	2		
14	1J3-23144-00	. SEAL, dust	2		
15	1J3-23163-00	. GASKET	2		
16	1J7-23116-00	. GUIDE, cover under	2		
17	1J7-23115-00	. GUIDE, cover upper	2		
18	1J7-23142-00	. SEAT, spring upper	2		
19	1E7-23151-01	. SPRING	2		
20	1J3-23114-00	. O-RING	2		
21	1J3-23111-00	. SEAT, spring	2		
22	1J3-23183-01	. RING, stopper	2		
23	1J3-23168-00	. CAP, front fork	2		
24	1J7-23340-02-33	. UNDER BRACKET COMP.	1		
25	97323-08040	. BOLT	4		
26	92901-08100	. WASHER, spring	4		
27	1J7-23167-00	. HOLDER, axle	1		
28	92901-08600	. WASHER, plate	2		
29	90185-08054	. NUT, nylon	2		
30	1E7-23181-00	. BOLT, hexagon socket head	2		
31	1E7-23119-00	. SCREW, drain	2		
32	1E7-23121-01-93	COVER, upper left	1		

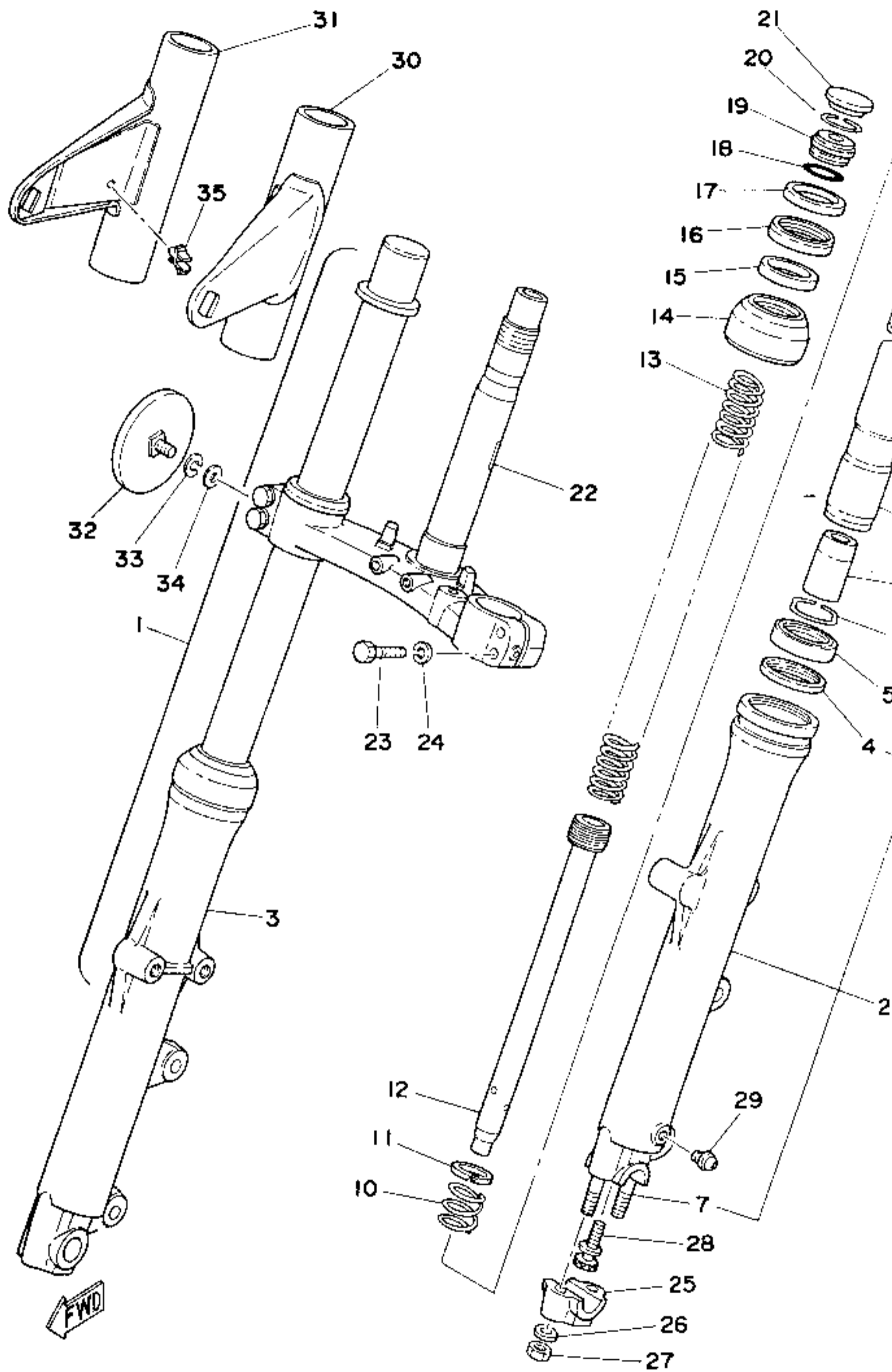
Yamaha Black

Fig. 29 FRONT FORK (XS750D)



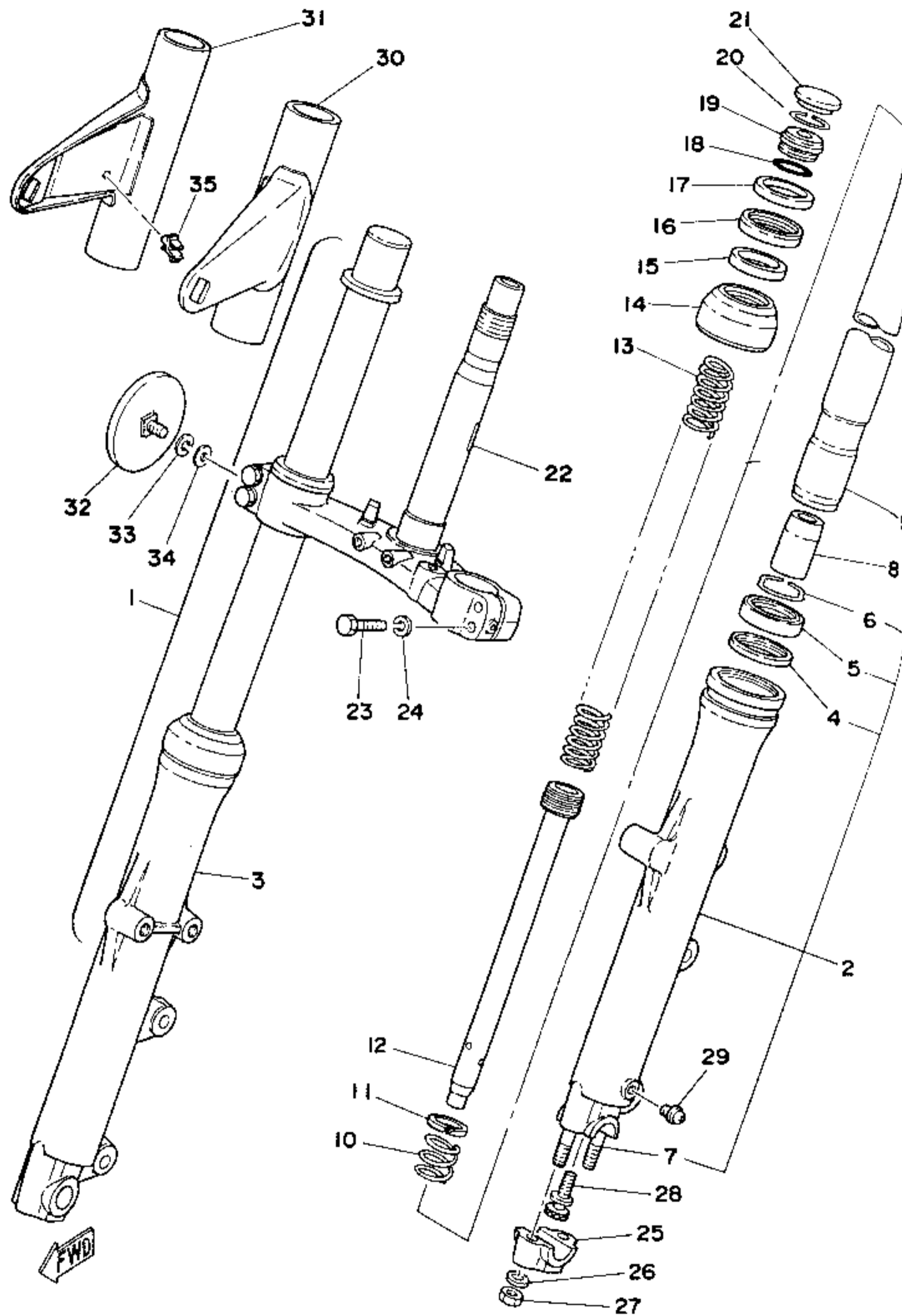
f. No.	Parts No.	Description	Q'ty		Remarks
			750D	750D 2D	
33	1J7-23131-01-93	COVER, upper right	1		
34	341-85111-00	REFLECTOR	2		↙
	355-85111-00	REFLECTOR	2		
	92901-05100	WASHER, spring	2		
	92901-05200	WASHER, plain	2		
	90464-16025	CLAMP	2		

Fig. 30 FRONT FORK (XS750-2D)



Q'ty	Parts No.	Description	Q'ty		Remarks
			750D	750 2D	
1	1T4-23101-00	FRONT FORK ASS'Y	1		
2	1T4-23126-00	FORK TUBE, outer left	1		
3	1T4-23136-00	FORK TUBE, outer right	1		
4	1T4-23147-00	SEAL, spacer	2		
5	1T4-23145-00	OIL SEAL	2		
6	1J3-23156-00	STOPPER RING, oil seal	2		
7	1E7-23128-00	BOLT, stud	2		
8	1J3-23166-00	PIECE, oil lock	2		
9	1T4-23110-00	INNER TUBE COMP.	2		
10	1J3-23151-00	SPRING, rebound	2		
11	1T4-23157-00	RING, front fork piston	2		
12	1T4-23170-00	CYLINDER COMP., front fork	2		
13	1T4-23141-00	SPRING, front fork	2		
14	1T4-23144-00	SEAL, dust	2		
15	1J3-23163-00	GASKET	2		
16	1T4-23116-00	GUIDE, cover under	2		
17	1T4-23115-00	GUIDE, cover upper	2		
18	1J3-23114-00	O-RING	2		
19	1J3-23111-00	SEAT, spring	2		
20	1J3-23183-01	RING, stopper	2		
21	1J3-23168-00	CAP, front fork	2		
22	1T4-23340-00-33	UNDER BRACKET COMP.	1		
23	07323-08040	BOLT	4		
24	92901-08100	WASHER, spring	4		
25	1T7-23167-00	HOLDER, axle	1		
26	02901-08600	WASHER, plate	2		
27	90185-08054	NUT, nylon	2		
28	1E7-23181-00	BOLT, hexagon socket head	2		
29	1E7-23113-00	SCREW, drain	2		
30	1E7-23121-01-93	COVER, upper left	1		
31	1E7-23131-01-93	COVER, upper right	1		
32	355-85111-00	REFLECTOR	2		

Fig. 30 FRONT FORK (XS750-2D)



Ref. No.	Parts No.	Description	Q'ty		Remarks
			730D	750-2D	
0-33	92901-05100	WASHER, spring		2	
34	92901-05200	WASHER, plain		2	
35	90464-16025	CLAMP		2	