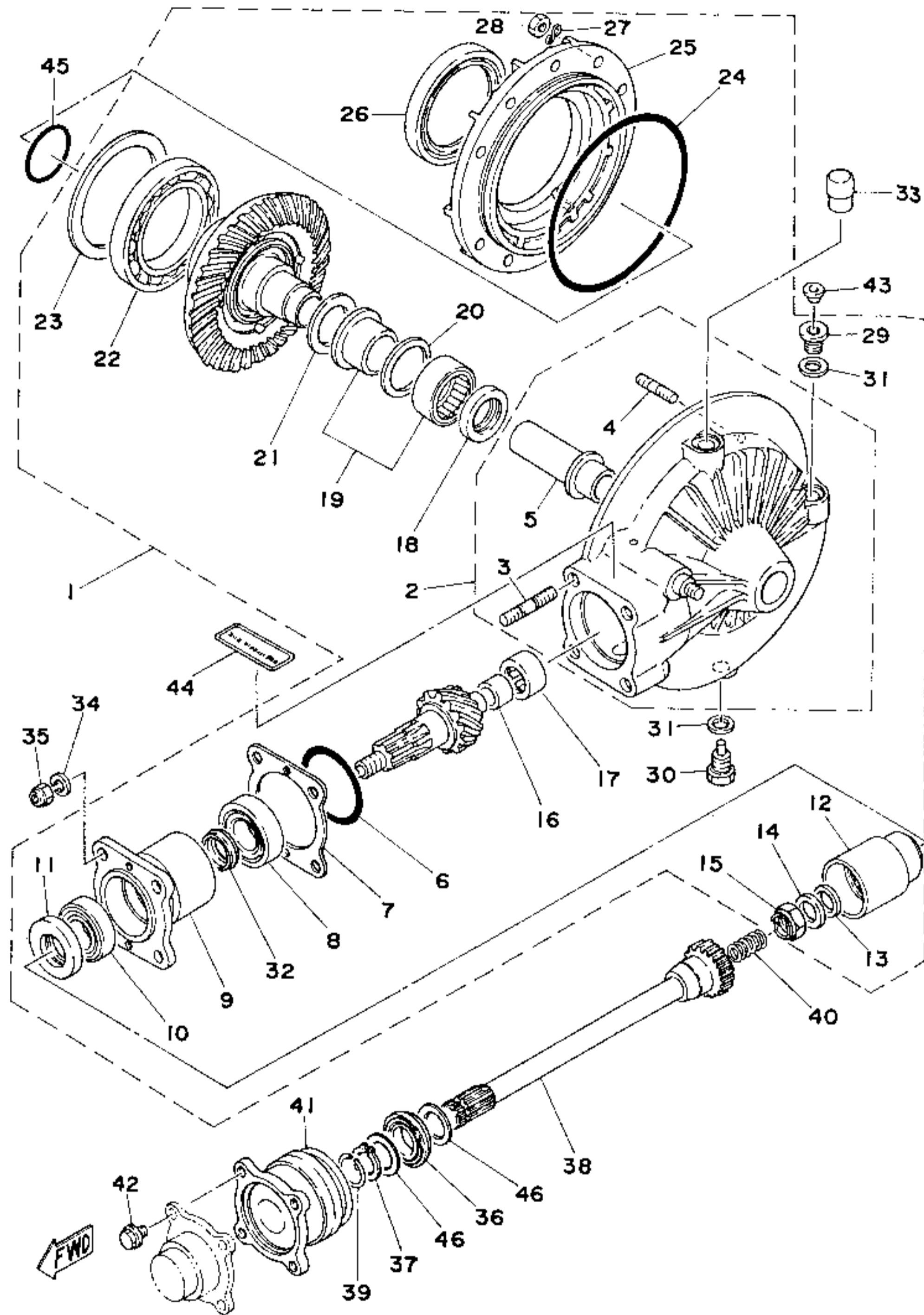
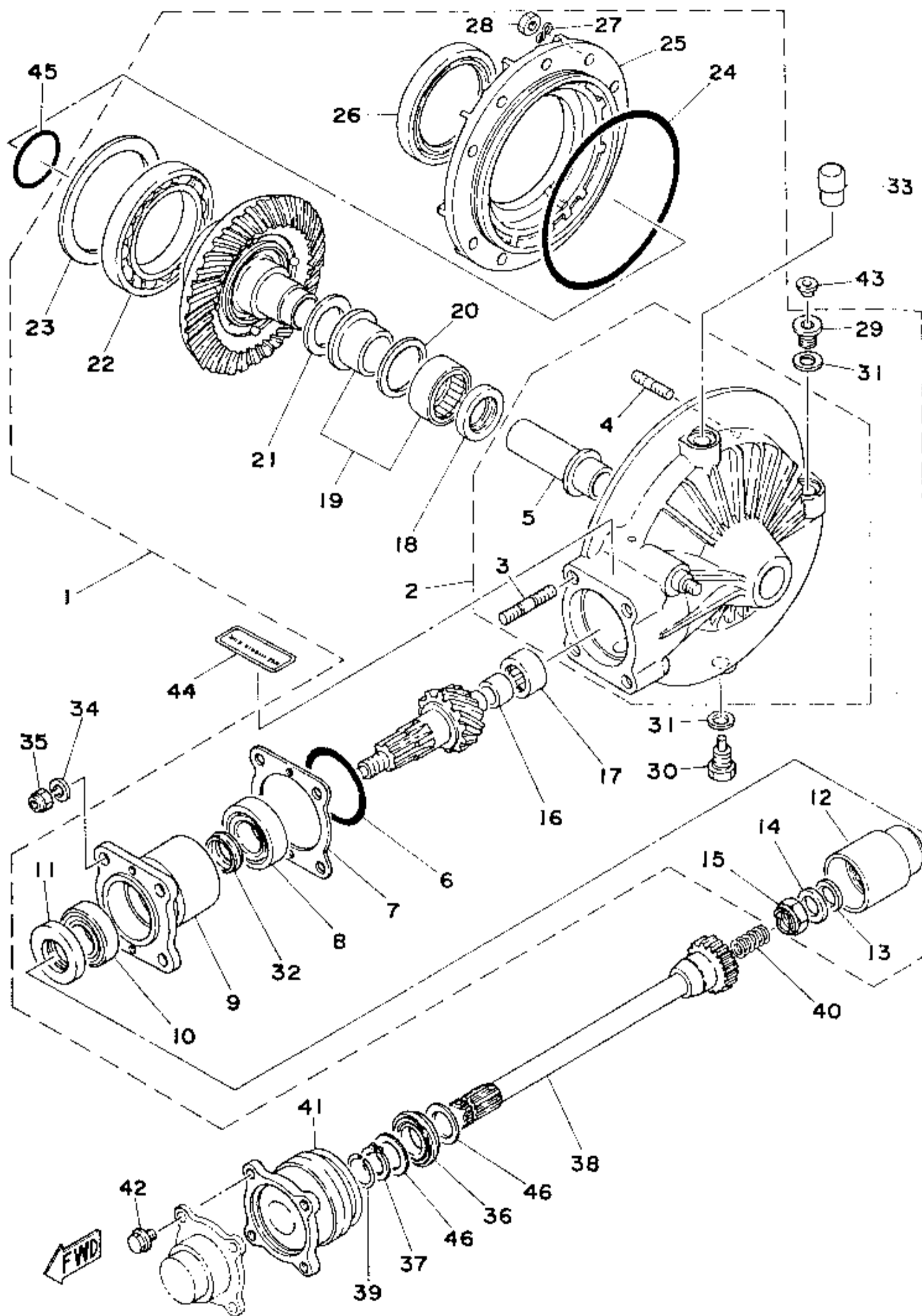


Fig. 37 FINAL DRIVE GEAR - DRIVE SHAFT



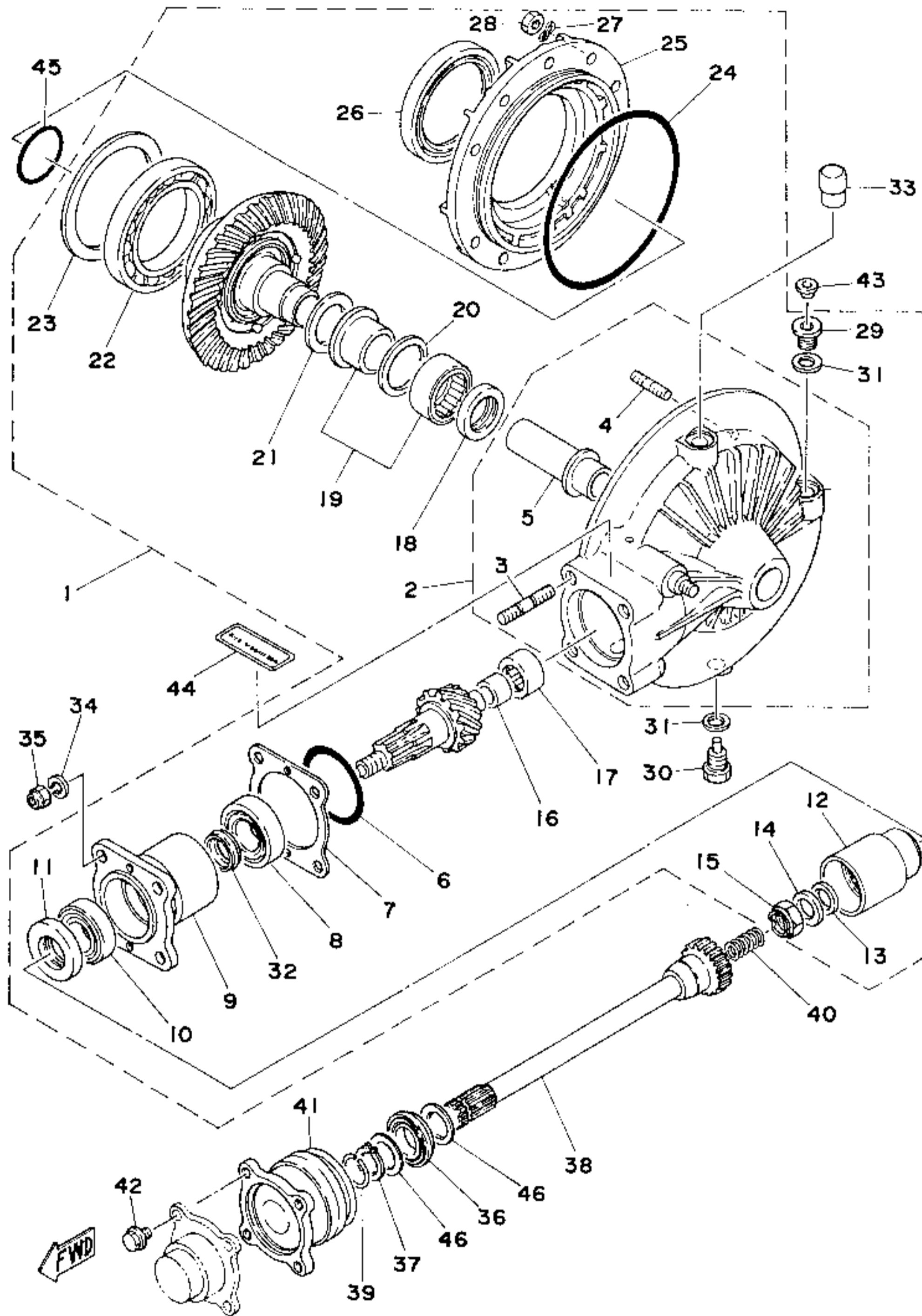
| Part No. | Parts No. | Description | Q'ty | | Remarks |
|----------|-----------------|---------------------------|------|--------------------|-----------|
| | | | 7500 | 750 Machine No. 20 | |
| 1 | YG4-11006-32-0G | REAR AXLE GEAR CASE ASS'Y | 1 | | ↙ |
| | 1J7-46101-N0 | REAR AXLE GEAR CASE ASS'Y | 1 | 1 | |
| 2 | YG4-11011-50-0G | DRIVE SHAFT HOUSING COMP. | 1 | | ↙ |
| | 1J7-46150-Y0 | DRIVE SHAFT HOUSING COMP. | 1 | 1 | |
| 3 | YG9-00903-91-3G | BOLT, stud | 4 | | ↙ M10-50L |
| | 90116-10248 | BOLT, stud | 4 | 4 | M10-50L |
| 4 | YG9-00901-91-3G | BOLT, stud | 10 | | ↙ M8-34L |
| | 90116-08247 | BOLT, stud | 10 | 10 | M8-34L |
| 5 | YG4-11706-80-0G | COLLAR, guide | 1 | | ↙ |
| | 1J7-46153-Y0 | COLLAR, guide | 1 | 1 | |
| 6 | YG9-00008-96-1G | O-RING | 1 | | ↙ |
| | 93210-58346 | O-RING | 1 | 1 | |
| 7 | YG4-11708-10-0G | SHIM, drive pinion (0.30) | | | ↙ |
| | 1J7-46127-Y0-30 | SHIM, drive pinion (0.30) | | | |
| | YG4-11708-20-0G | SHIM, drive pinion (0.35) | | | ↙ |
| | 1J7-46127-Y0-35 | SHIM, drive pinion (0.35) | | | |
| | YG4-11708-30-0G | SHIM, drive pinion (0.40) | | | ↙ |
| | 1J7-46127-Y0-40 | SHIM, drive pinion (0.40) | 1 | 1 | LR LR |
| | YG4-11708-40-0G | SHIM, drive pinion (0.45) | | | ↙ |
| | 1J7-46127-Y0-45 | SHIM, drive pinion (0.45) | | | |
| | YG4-11708-50-0G | SHIM, drive pinion (0.50) | | | ↙ |
| | 1J7-46127-Y0-50 | SHIM, drive pinion (0.50) | | | |
| | YG4-11708-60-0G | SHIM, drive pinion (0.55) | | | ↙ |
| | 1J7-46127-Y0-55 | SHIM, drive pinion (0.55) | | | |
| 8 | YG9-00908-17-3G | BEARING, tapered roller | 1 | | ↙ |
| | 93332-60024 | BEARING, tapered roller | 1 | 1 | |
| 9 | YG4-11006-90-1G | HOUSING, bearing | 1 | | |
| | 1J7-46124-Y0 | HOUSING, bearing | 1 | 1 | |
| 10 | YG9-00906-17-3G | BEARING, tapered roller | 1 | | ↙ |
| | 93332-00023 | BEARING, tapered roller | 1 | 1 | |
| 11 | YG9-00971-96-0G | OIL SEAL (S-38-50-7) | 1 | | ↙ |
| | 93101-38086 | OIL SEAL (S-38-50-7) | 1 | 1 | |

Fig. 37 FINAL DRIVE GEAR - DRIVE SHAFT



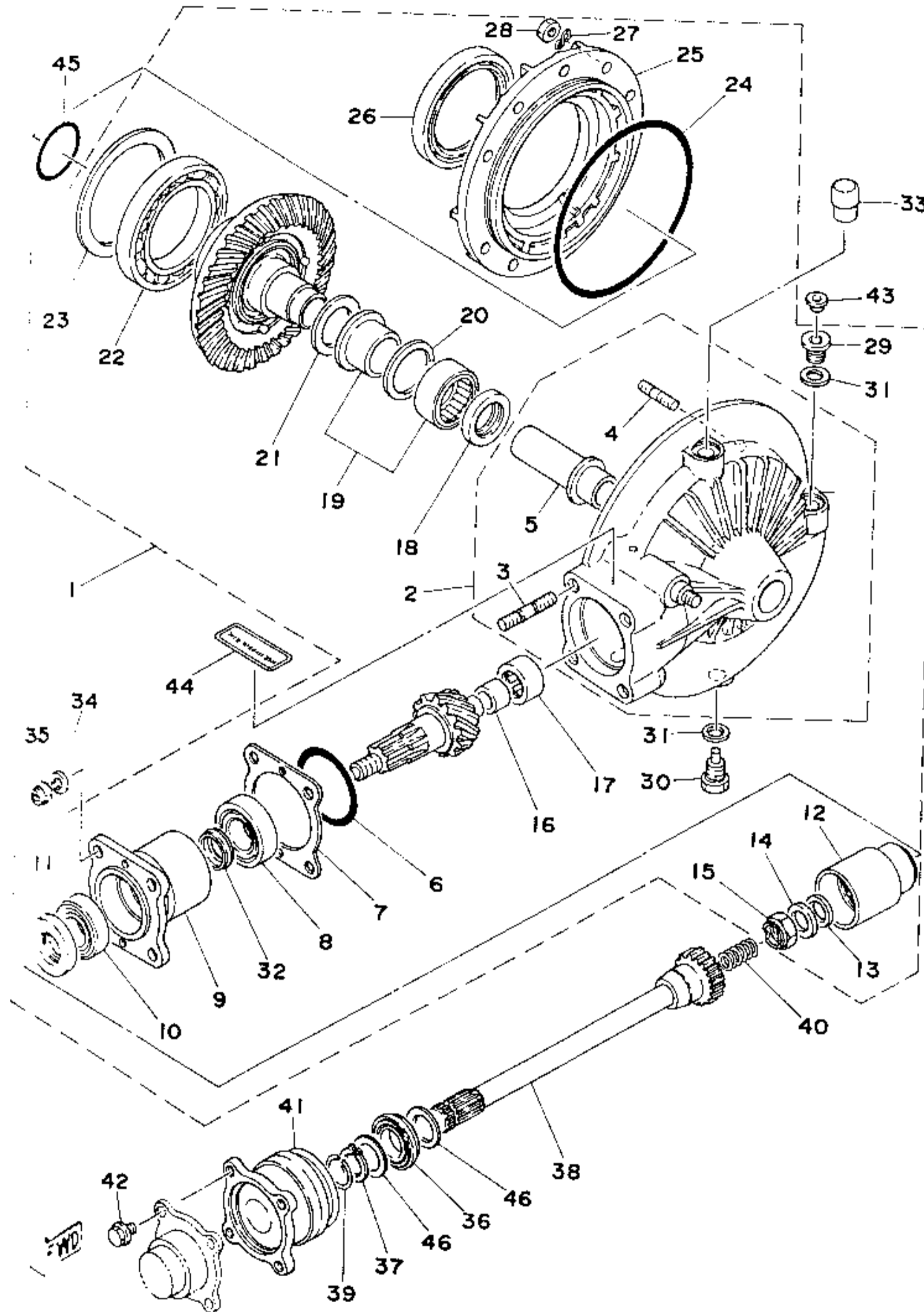
| Ref. No. | Parts No. | Description | Q'ty | | Remarks |
|----------|-----------------|------------------------------|------|--------------------|------------|
| | | | 7500 | 150 Machine No. 20 | |
| 12 | YG4-11707-10-0G | COUPLING, gear | 1 | | ⬇ |
| | YG4-11707-11-0G | COUPLING, gear | 1 | | |
| | 1J7-46123-Y0 | COUPLING, gear | 1 | 1 | |
| 13 | YG9-00922-14-4G | SPACER, bearing (14-20-1.00) | UR | 1 | ⬇ |
| | YG9-00922-24-4G | SPACER, bearing (14-20-1.52) | | | |
| | YG9-00922-34-4G | SPACER, bearing (14-20-1.54) | | | |
| | YG9-00922-44-4G | SPACER, bearing (14-20-1.56) | | | |
| | YG9-00922-54-4G | SPACER, bearing (14-20-1.58) | | | |
| | YG9-00922-64-4G | SPACER, bearing (14-20-1.60) | | | |
| | YG9-00922-74-4G | SPACER, bearing (14-20-1.70) | | | |
| | YG9-00922-84-4G | SPACER, bearing (14-20-1.80) | | | |
| | YG9-00922-94-4G | SPACER, bearing (14-20-1.90) | | | |
| 14 | YG9-00933-44-4G | WASHER, plate (14-26-4) | 1 | | ⬇ |
| | 90201-14632 | WASHER, plate (14-26-4) | 1 | 1 | |
| 15 | YG9-00001-62-7G | NUT, self locking | 1 | | ⬇ M14-P1.5 |
| | 90185-14070 | NUT, self locking | 1 | 1 | M14-P1.5 |
| 16 | YG4-11708-80-0G | RACE, inner | 1 | | ⬇ |
| | 1J7-46122-Y0 | RACK, inner | 1 | 1 | |
| 17 | YG9-00920-47-6G | BEARING | 1 | | ⬇ |
| | 93317-41510 | BEARING | 1 | 1 | |
| 18 | YG9-00968-76-0G | OIL SEAL (S-30-42-7) | 1 | | ⬇ |
| | 93101-30084 | OIL SEAL (S-30-42-7) | 1 | 1 | |
| 19 | YG9-00942-77-5G | BEARING | 1 | | ⬇ |
| | 1J7-46106-Y1 | BEARING | 1 | 1 | |
| 20 | YG4-11708-70-0G | WASHER, thrust (37-47-2) | 1 | | ⬇ |
| | 1J7-46118-Y0-18 | WASHER, thrust (37-47-1.8) | UR | UR | ⬇ |
| | 1J7-46118-Y0-19 | WASHER, thrust (37-47-1.9) | | | |
| | 1J7-46118-Y0-20 | WASHER, thrust (37-47-2.0) | | | |
| | 1J7-46118-Y0-21 | WASHER, thrust (37-47-2.1) | | | |

Fig. 37 FINAL DRIVE GEAR · DRIVE SHAFT



| Ref. No. | Parts No. | Description | Q'ty | | Remarks |
|----------|-----------------|------------------------------------|------|--------------------|------------|
| | | | 7500 | 750 Machine No. 21 | |
| 37-21 | YG9-00974-14-4G | . SHIM, thrust (33-45-0.1) | | | ↙ |
| | 1J7-46119-Y0-10 | . SHIM, thrust (33-45-0.1) | | | |
| | YG9-00974-24-4G | . SHIM, thrust (33-45-0.2) | U.R | U.R | ↙ |
| | 1J7-46119-Y0-20 | . SHIM, thrust (33-45-0.2) | 1 | 1 | |
| 22 | YG9-00901-37-1G | . BEARING (16014) | 1 | | ↙ |
| | 93316-01402 | . BEARING (16014) | 1 | 1 | |
| 23 | YG9-00925-14-4G | . SHIM, ring gear (95-110-0.3) ... | | | ↙ |
| | 1J7-46117-Y0-30 | . SHIM, ring gear (95-110-0.3) ... | | | |
| | YG9-00928-24-4G | . SHIM, ring gear (95-110-0.35) .. | | | ↙ |
| | 1J7-46117-Y0-35 | . SHIM, ring gear (95-110-0.35) .. | | | |
| | YG9-00928-34-4G | . SHIM, ring gear (95-110-0.4) ... | | | ↙ |
| | 1J7-46117-Y0-40 | . SHIM, ring gear (95-110-0.4) ... | U.R | U.R | ↙ |
| | YG9-00928-44-4G | . SHIM, ring gear (95-110-0.45) .. | 1 | 1 | |
| | 1J7-46117-Y0-45 | . SHIM, ring gear (95-110-0.45) .. | | | |
| | YG9-00928-54-4G | . SHIM, ring gear (95-110-0.5) ... | | | ↙ |
| | 1J7-46117-Y0-50 | . SHIM, ring gear (95-110-0.5) ... | | | |
| | YG9-00928-64-4G | . SHIM, ring gear (95-110-5.5) .. | | | ↙ |
| | 1J7-46117-Y0-55 | . SHIM, ring gear (95-110-5.5) .. | | | |
| 24 | YG9-00011-86-1G | . O-RING | 1 | | ↙ |
| | 93211-44348 | . O-RING | 1 | 1 | |
| 25 | YG4-11007-30-0G | . HOUSING, bearing | 1 | | ↙ |
| | 1J7-46152-Y0 | . HOUSING, bearing | 1 | 1 | |
| 26 | YG9-00994-56-0G | . OIL SEAL (SD-70-90-10) | 1 | | ↙ |
| | 93102-70166 | . OIL SEAL (SD-70-90-10) | 1 | 1 | |
| 27 | YG9-00014-84-1G | . WASHER, wave | 10 | | ↙ |
| | 92901-08700 | . WASHER, wave | 10 | 10 | |
| 28 | YG9-00001-52-0G | . NUT | 10 | | ↙ M8-PL.25 |
| | 95311-08600 | . NUT | 10 | 10 | M8-PL.25 |
| 29 | YG9-00006-61-5G | . PLUG, oil inlet | 1 | | ↙ |
| | 90340-14046 | . PLUG, oil inlet | 1 | 1 | |
| 30 | YG9-00907-11-5G | . PLUG, oil drain | 1 | | ↙ |
| | 90340-14042 | . PLUG, oil drain | 1 | 1 | |

Fig. 37 FINAL DRIVE GEAR · DRIVE SHAFT



| Ref. No. | Parts No. | Description | Q'ty | | Remarks |
|----------|-----------------|---------------------------|------|-----------|---------|
| | | | 750D | 750 2D | |
| 37-31 | YG9-00027-26-2G | GASKET | 2 | | ↓ |
| | 214-11198-01 | GASKET | 2 | 2 | |
| 32 | 1J7-46129-Y0 | SPACER, expansion | 1 | 1 | |
| 33 | 1J7-17590-01 | BREATHER COMP. | 1 | 1 | |
| 34 | 92901-10100 | WASHER, spring | 4 | 4 | |
| 35 | 95611-10100 | NUT U | 4 | 4 | |
| 36 | 93108-27006 | OIL SEAL (OSO-27-43, 6-7) | 1 | 1 | |
| 37 | 93410-26011 | CIRCLIP (5-26) | 1 | 1 | |
| 38 | 1J7-46172-01 | SHAFT, drive | 1 | 1 | |
| 39 | 90468-14067 | CLIP | 1 | 1 | |
| 40 | 90501-18442 | SPRING, compression | 1 | 1 | |
| 41 | 1J7-46170-00 | BALL JOINT COMP. | 1 | 1 | |
| 42 | 90105-08066 | BOLT, washer based | 4 | 4 | |
| 43 | 341-23469-00 | CAP, bolt | 1 | 1 | |
| 44 | 1J7-46181-10 | LABEL, oil caution | 1 | 1 | |
| 45 | 93210-55349 | O-RING (4-54, 5) | 1 | 1 | |
| 46 | 90201-27623 | WASHER, plate | 2 | 2 | |

27-41-9.5