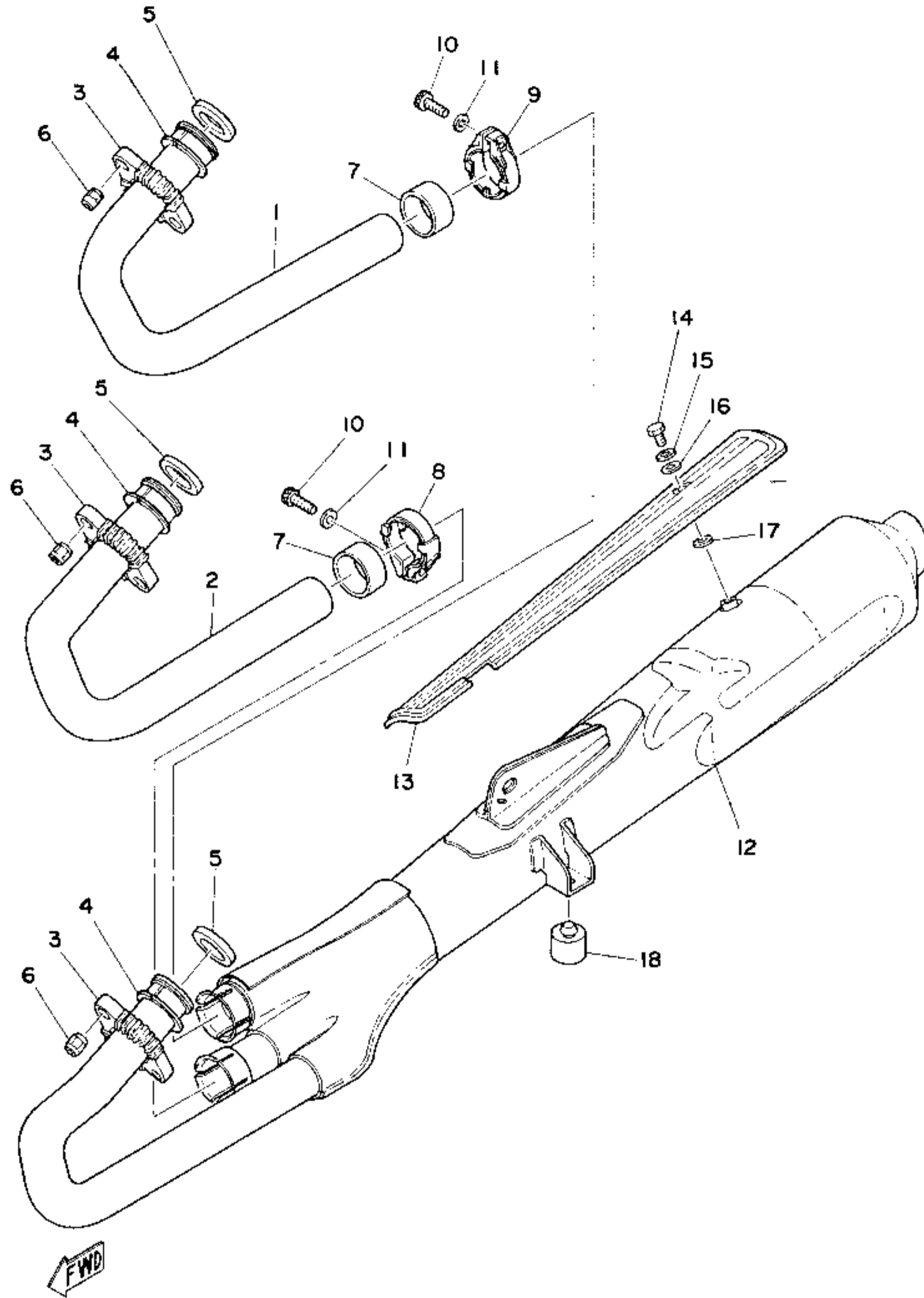
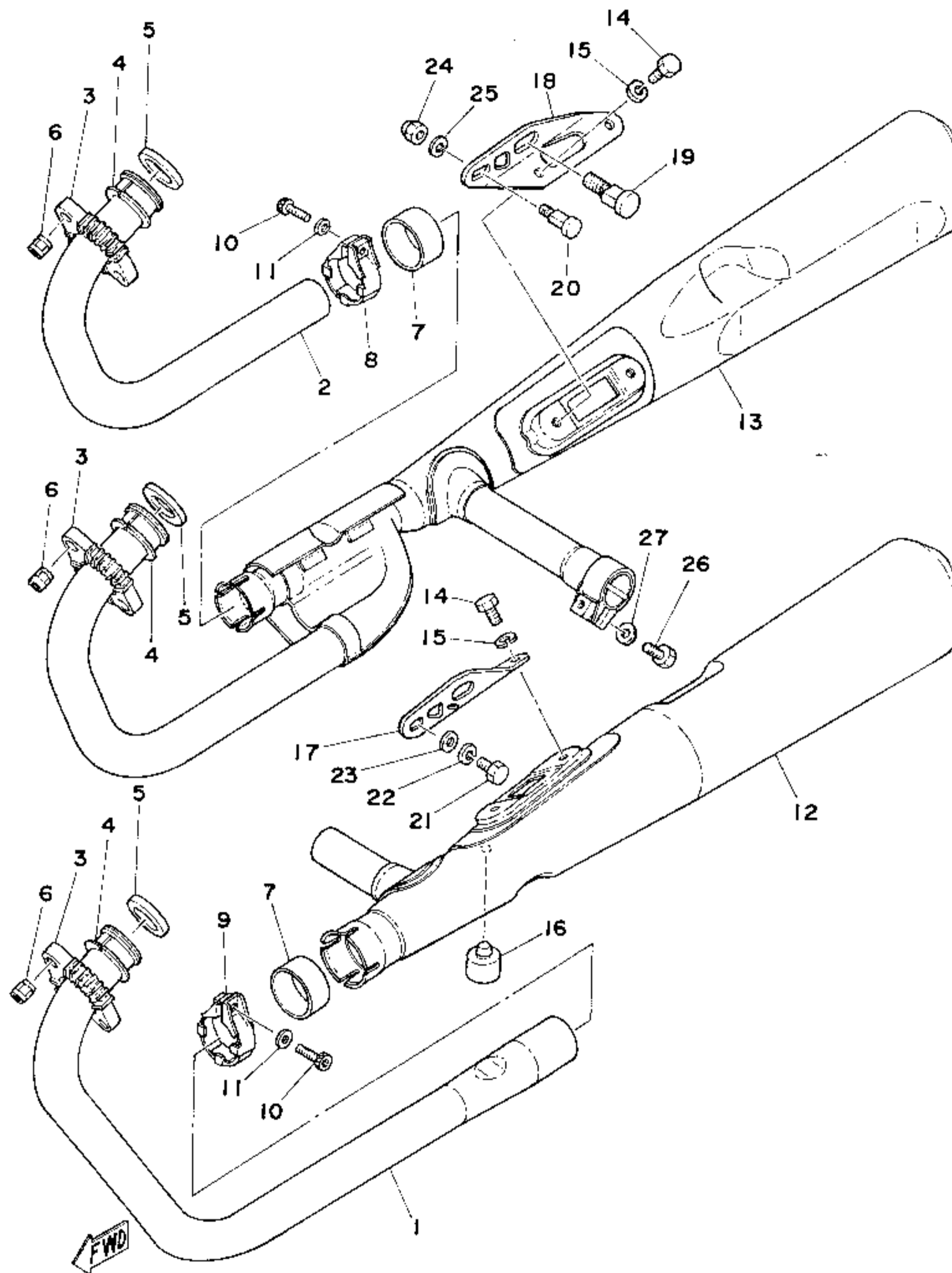


Fig. 20 EXHAUST (XS750D)



ef. No.	Parts No.	Description	Q'ty		Remarks
			750D	Applicable Machine No.	
1	1J7-14621-01	PIPE, exhaust 2	1		
2	1J7-14631-01	PIPE, exhaust 3	1		
3	1J7-14612-00	NUT, ring	3		
4	1J7-14614-00	FLANGE, exhaust pipe	6		
5	341-14613-00	GASKET, exhaust	3		
6	90179-08004	NUT	6		
7	1J7-14714-00	GASKET, muffler joint	2		
8	1J7-14788-01	BAND, silencer	1		
9	1L9-14788-00	BAND, silencer	1		
10	91316-06025	BOLT, hexagon socket head	2		
11	92901-06600	WASHER, plate	2		
12	1J7-14710-01	MUFFLER ASS'Y	1		
	1J7-14710-03	MUFFLER ASS'Y	1		
13	1J7-14718-02	PROTECTOR, muffler	1		
14	90101-06322	BOLT, hexagon	2		
15	92901-06200	WASHER, plain	2		
16	90202-06010	WASHER, plate (178-14766-00)	2		
17	90202-05005	WASHER, plate (214-14766-00)	2		
18	1J7-27114-00	STOPPER, main stand	1		

Fig. 21 EXHAUST (XS750-2D)



Ref. No.	Parts No.	Description	Q'ty		Remarks
			750D	750-2D	
1-1	1T4-14611-01	PIPE, exhaust left	1		
2	1T4-14631-00	PIPE, exhaust right	1		
3	1J7-14612-00	NUT, ring	3		
4	1J7-14614-00	FLANGE, exhaust pipe	6		
5	341-14613-00	GASKET, exhaust	3		
6	90179-08004	NUT	6		
7	1T4-14714-00	GASKET, muffler joint	2		
8	1T4-14788-00	BAND, silencer	1		
9	11.9-14788-00	BAND, silencer	1		
10	91316-06025	BOLT, hexagon socket head	2		
11	92901-06600	WASHER, plate	2		
12	1T5-14711-01	MUFFLER, left	1		
13	1T5-14702-00	MUFFLER, right	1		
14	97321-08016	BOLT, hexagon	4		
15	92901-08100	WASHER, spring	4		
16	1J7-27114-00	STOPPER, main stand	1		
17	1T1-27442-00	STAY, muffler left	1		
18	1T4-27443-00	STAY, muffler right	1		
19	1T4-27434-00	BOLT, special 1	1		
20	1T4-27435-00	BOLT, special 2	1		
21	97321-08020	BOLT, hexagon	1		
22	92901-08100	WASHER, spring	1		
23	92901-08600	WASHER, plain	1		
24	99301-08800	NUT, crown	1		
25	92901-08100	WASHER, spring	1		
26	97301-08025	BOLT, hexagon	1		
27	92901-08600	WASHER, plate	1		