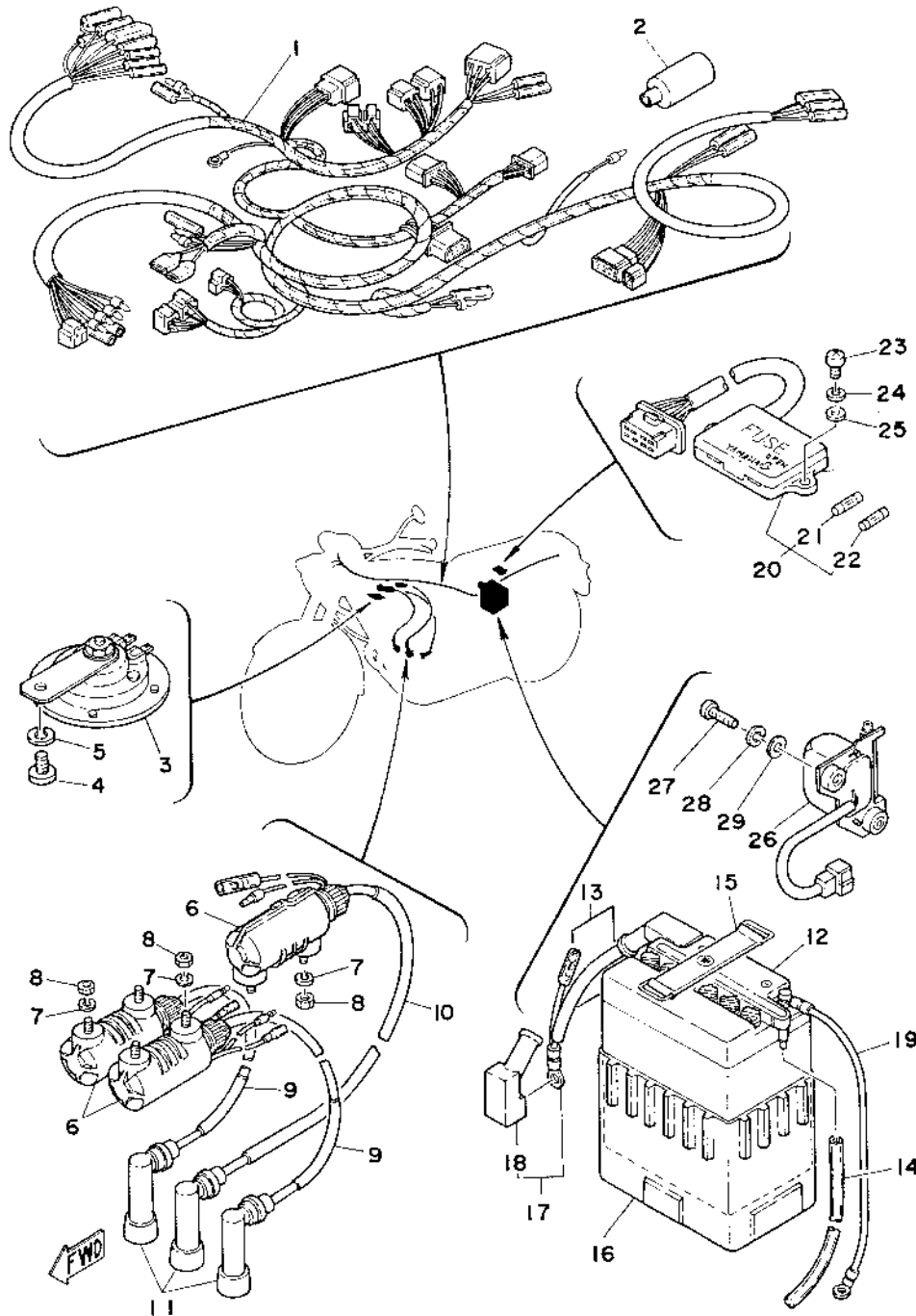
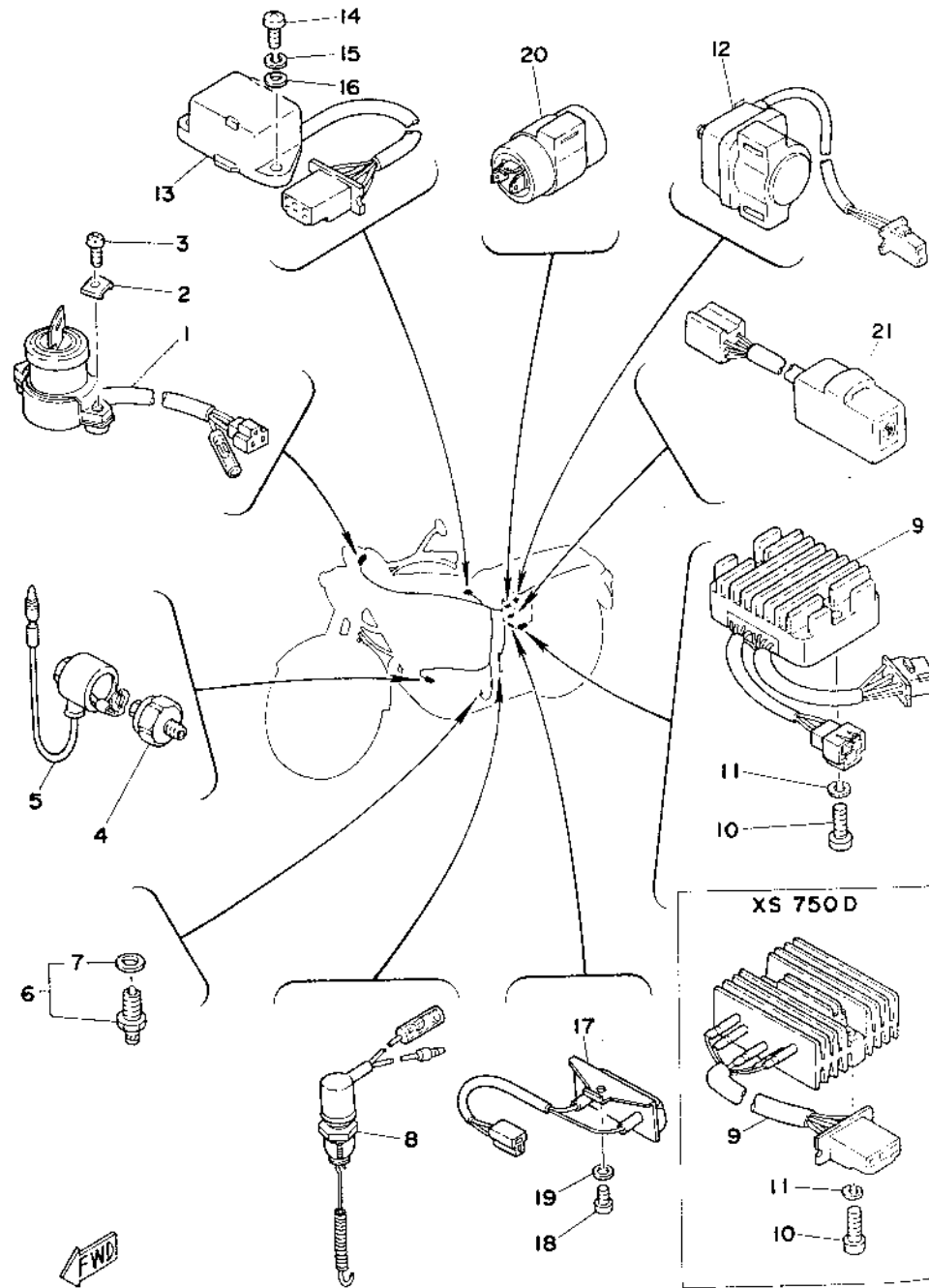


Fig. 46 ELECTRICAL 1



Ref. No.	Parts No.	Description	Qty		Remarks
			750D	750-2D	
46-1	1J7-82590-61	WIRE HARNESS ASS'Y	1		
	1T4-82590-60	WIRE HARNESS ASS'Y	1		
2	538-82599-10	COVER, connector	1		
3	1J7-83371-20	HORN	1		
	1J7-83371-21	HORN	1		
4	97301-08014	BOLT	1		
5	92901-08100	WASHER, spring	1		
6	371-82310-60	IGNITION COIL ASS'Y	3		
7	92901-06100	WASHER, spring	6		
8	95301-06700	NUT	6		
9	1J7-82341-00	CORD, high tension	2		
10	1J7-82342-00	CORD, high tension	1		
11	1J7-82370-00	PLUG CAP ASS'Y	3		
12	447-82110-80	BATTERY ASS'Y (YB14L)	1		12V-13AH
	447-82110-81	BATTERY ASS'Y (YB14L)	1		12V-13AH
13	104-82141-09	LABEL, battery	1		
14	90445-08337	HOSE, breather (5-640)	1		
15	120-82131-00	BAND, battery	1		
16	447-82122-00	SEAT, battery	1		
17	1J7-82115-00	WIRE, plus lead	1		
18	1J7-82119-00	COVER, lead wire	2		
19	1J7-82116-00	WIRE, minus lead	1		
20	1J7-82170-40	FUSE BOX ASS'Y	1		
21	1A0-82161-00	FUSE (12V-20A)	2		
22	1A0-82151-00	FUSE (12V-10A)	4		
23	98501-05015	SCREW, panhead	2		
24	92901-05100	WASHER, spring	2		
25	92901-05600	WASHER, plate	2		
26	447-81910-10	VOLTAGE REGULATOR ASS'Y	1		
27	92501-06025	SCREW, panhead	2		
28	92901-06100	WASHER, spring	2		
29	90201-06052	WASHER, plate (136-22316-00)	2		

Fig. 47 ELECTRICAL 2



Ref. No.	Parts No.	Description	Q'ty		Remarks
			750D	750D Machine No.	
17-1	1A8-82508-40	MAIN SWITCH ASS'Y	1	1	
2	533-82517-00	WASHER, special	2	2	
3	98501-05018	SCREW, panhead	2	2	
4	341-82504-02	OIL PRESSURE SWITCH ASS'Y	1	1	
5	1J7-82507-00	LEAD WIRE, oil pressure switch	1	1	
6	341-82540-01	NEUTRAL SWITCH ASS'Y	1	1	
7	116-82543-00	GASKET	1	1	
8	1J7-82530-00	STOP SWITCH ASS'Y	1	1	
9	1J7-81970-00	RECTIFIER ASS'Y	1		
	1T4-81960-90	RECTIFIER & REGULATOR ASS'Y	1		
10	92501-06025	SCREW, panhead	2	2	
11	92906-06100	WASHER, spring	2	2	
12	1J7-81940-10	STARTER SWITCH ASS'Y	1	1	
13	1J7-84308-00	RESERVE LIGHTING UNIT ASS'Y	1	1	
14	92501-06020	SCREW, panhead	2	2	
15	92901-06100	WASHER, spring	2	2	
16	92901-06600	WASHER, plain	2	2	
17	1J7-81911-01	RESISTOR	1	1	
18	92501-06010	SCREW, panhead	1	1	
19	92901-06600	WASHER, plain	1	1	
20	1A0-83350-70	FLASHER RELAY ASS'Y	1	1	
21	1A0-83395-01	FLASHER CANCELLING UNIT	1		
	1A0-83395-02	FLASHER CANCELLING UNIT	1	1	