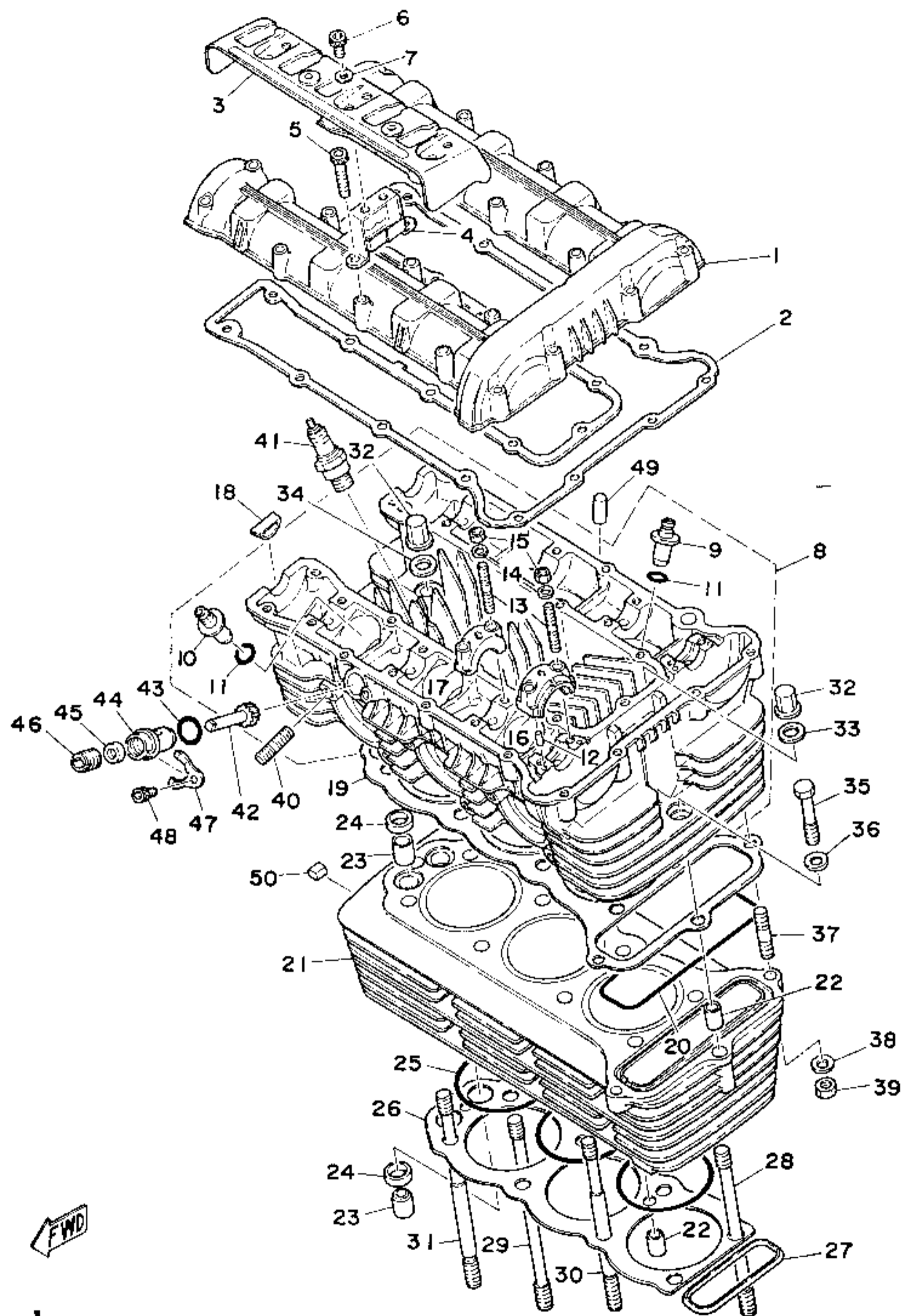
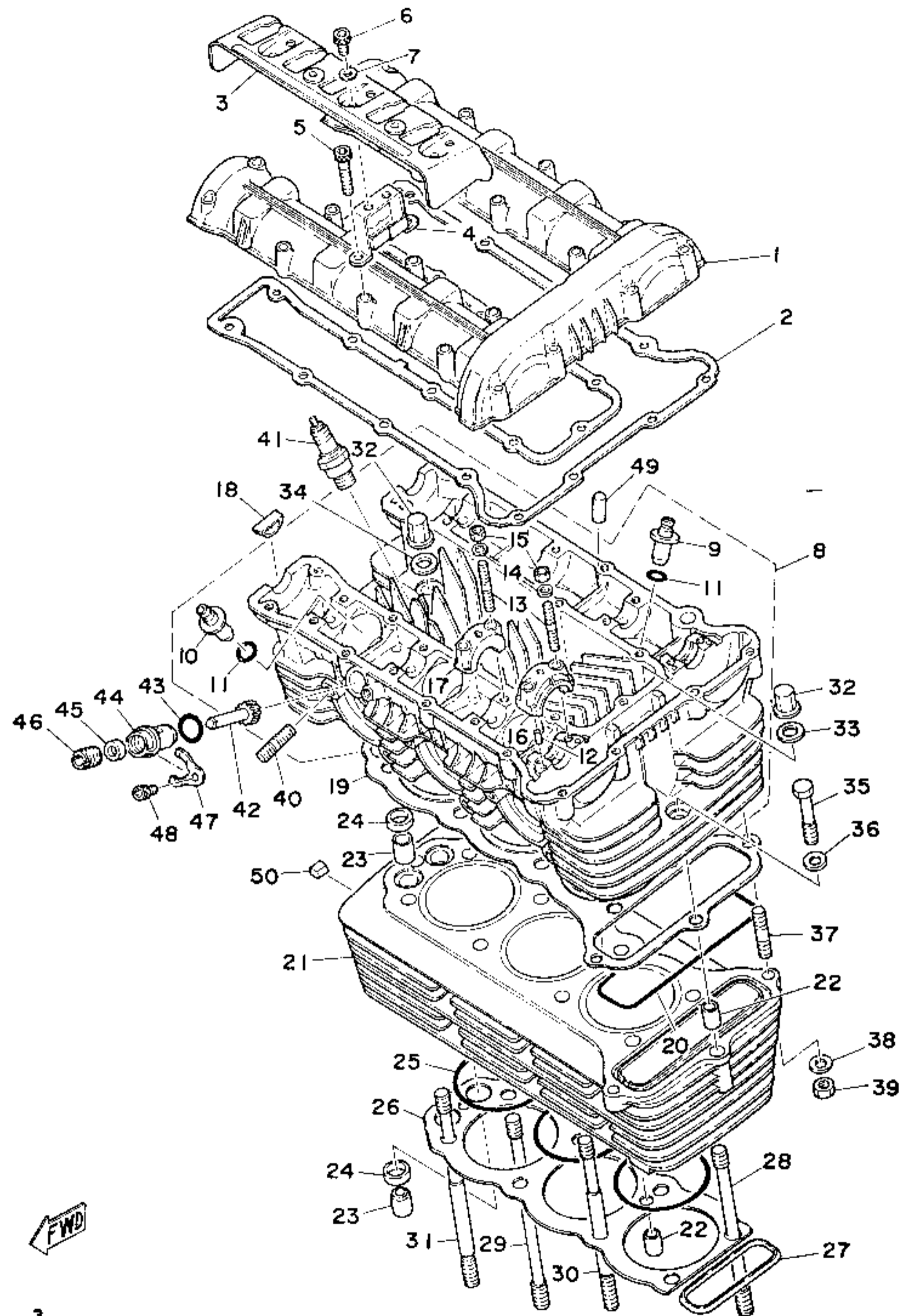


Fig. 1 CYLINDER HEAD - CYLINDER



Ref. No.	Parts No.	Description	Q'ty		Application Machine No	Remarks
			750D	750 2D		
1- 1	1J7-11191-00	COVER, cylinder head 1	1	1		
2	1J7-11193-00	GASKET, cylinder head cover	1	1		
3	1J7-11192-03	COVER, cylinder head 2	1	1		
4	1J7-11183-00	BRACKET, camshaft, right	3	3		
5	91316-06035	BOLT, hexagon socket head	21	21		
6	91316-06015	BOLT, hexagon socket head	6	6		
7	92906-06600	WASHER, plate	6	6		
8	1J7-11110-00	CYLINDER HEAD ASS'Y	1	1		
9	1J7-11133-10	. GUIDE, intake valve (1st O.S)	3	3		
10	1J7-11134-10	. GUIDE, exhaust valve (1st O.S)	3	3		
11	93210-11313	. O-RING (1.3-11.8)	6	6		
12	93603-09004	. PIN, dowel	4	4		
13	90116-06228	. BOLT, stud	16	16		
14	90201-06431	. WASHER, plate	16	16		6.2-11-1
15	95301-06600	. NUT, hexagon	16	16		
16	1J7-12173-10	. CAP, cam shaft 1	2	2		
17	1J7-12183-10	. CAP, cam shaft 2	6	6		
18	1J7-11138-00	PLUG, semi circular	2	2		
19	1J7-11181-01	GASKET, cylinder head	1			▽
	1J7-11181-02	GASKET, cylinder head	1	1		
20	1J7-11135-00	SEAL, cylinder 1	1			▽
	1J7-11355-00	SEAL, cylinder 1	1	1		
21	1J7-11310-00	CYLINDER	1	1		
22	91810-03014	PIN, dowel (10-8.5-14)	4	4		
23	91810-16016	PIN, dowel (14-10.5-16)	4	4		
24	1J7-11357-00	SEAL, cylinder 3	4	4		
25	93210-74316	O-RING (1.9-74.5)	3	3		
26	1J7-11351-01	GASKET, cylinder	1			▽
	1J7-11351-02	GASKET, cylinder	1	1	004582~	
27	1J7-11356-00	SEAL, cylinder 2			U.R U.R	3.6H
	1J7-11356-10	SEAL, cylinder 2	1	1		3.4H

Fig. 1 CYLINDER HEAD - CYLINDER



Ref. No.	Parts No.	Description	Q'ty		Remarks
			750D	750 -21)	
-28	90116-10244	BOLT, stud	3	3	M10 154L
29	90116-10243	BOLT, stud	1	1	M10 177L
30	1J7-11363-00	BOLT, cylinder holding 3	2	2	M10-154L
31	1J7-11364-00	BOLT, cylinder holding 4	2	2	
32	90179-10212	NUT	8	8	
33	90201-10124	WASHER, plate (371-11175-00)	6	6	10-18.5 2.3
34	90201-11597	WASHER, plate	2	2	
35	90101-08310	BOLT, hexagon	2	2	
36	90201-08382	WASHER, plate	2	2	8-16-2
37	90116-08161	BOLT, stud	2	2	
38	90201-08382	WASHER, plate	2	2	
39	95311-08600	NUT	2	2	
40	95601-08620	BOLT, stud	6	6	
41	94701-00117	PLUG, spark (BP-7ES)	3	3	
42	1J7-17841-00	GEAR, tachometer driven (15T)	1	1	
43	93210-18318	O-RING (1.6-17.6)	1	1	
44	1J7-17811-00	HOUSING, tachometer gear	1	1	
45	93104-07036	OIL SEAL (SO-7-13-4)	1	1	
46	256-17848-00	ADAPTER	1	1	
47	1J7-17812-00	STOPPER	1	1	
48	91316-06012	BOLT, hexagon socket head	1	1	
49	1J7-13569-00	PLUG, blind	1	1	
50	434-11161-00	ABSORBER	29	29	