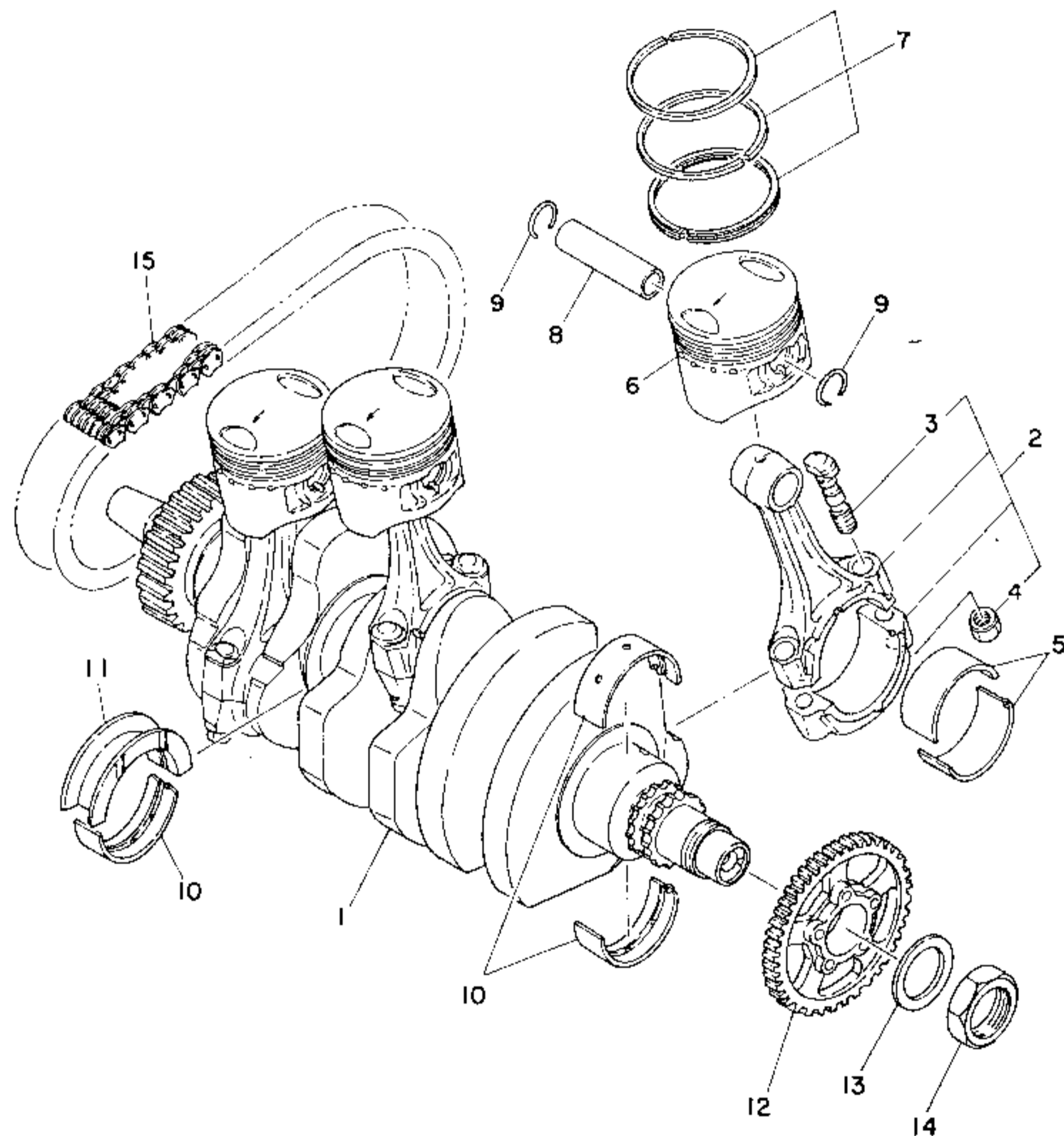


Fig. 3 CRANK · PISTON



Ref. No.	Parts No.	Description	Q'ty		Remarks
			7500	7502D	
1	1J7-11411-02	CRANKSHAFT	1	1	
2	1J7-11650-00	CONNECTING ROD ASS'Y	3	3	
3	1J7-11654-00	. BOLT, connecting rod	6	6	
4	90170-09192	. NUT, hexagon	6	6	
5	1J7-11656-00	BEARING, connecting rod 1	} U.R. U.R. 6 6		} Blue Black Brown Green Yellow See the table below.
	1J7-11656-10	BEARING, connecting rod 2			
	1J7-11656-20	BEARING, connecting rod 3			
	1J7-11656-30	BEARING, connecting rod 4			
	1J7-11656-40	BEARING, connecting rod 5			

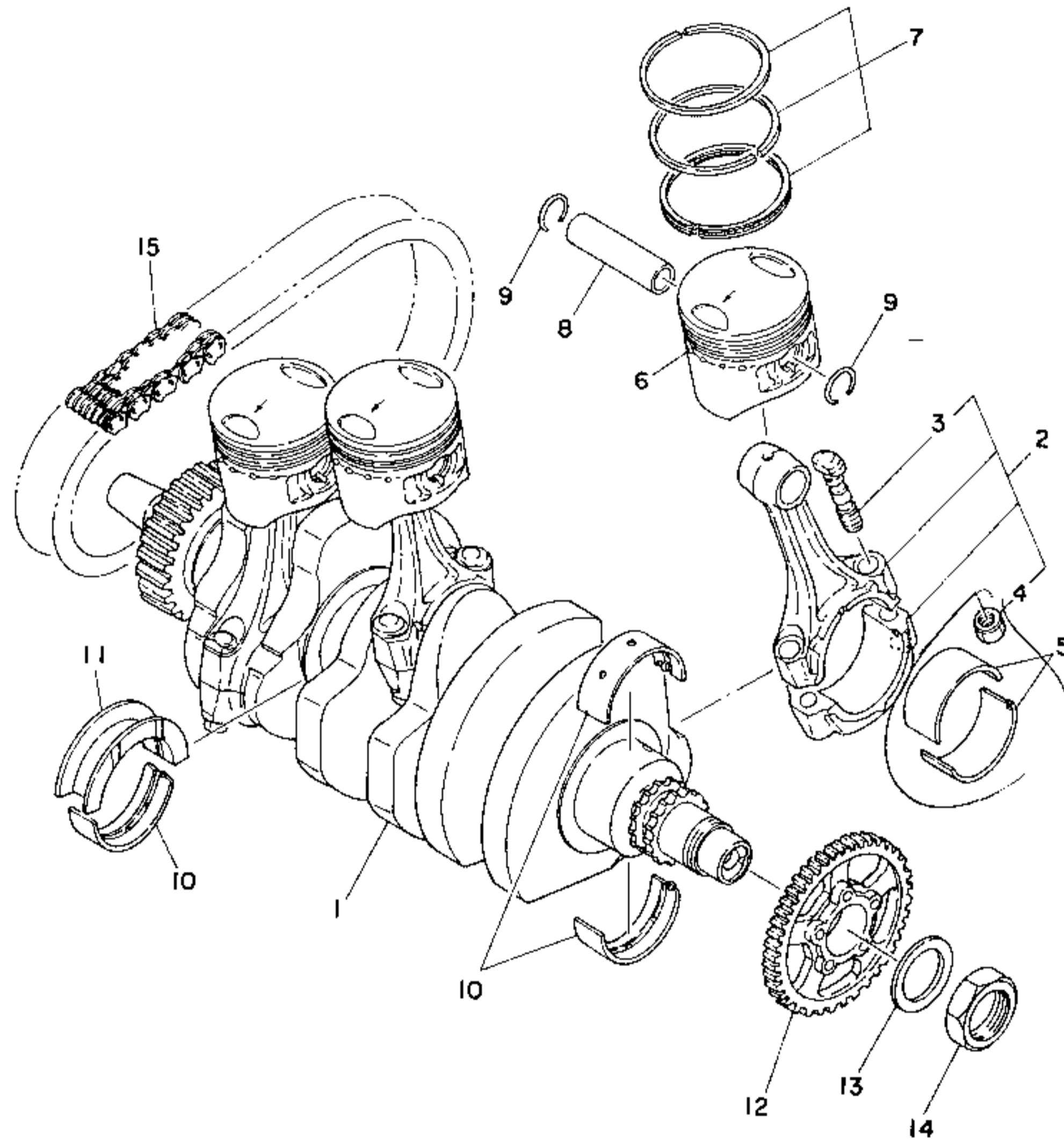
TABLE 1 CONNECTING ROD BEARING SELECTION

Housing No. - Shaft No. - Bearing No.

	Center thickness T	Housing diameter	No.	Shaft diameter	No.	Oil clearance
BEARING 1	1.5 +0.001 -0.003	45.5φ +0.024 -0.016	4	42.5φ 0 -0.008	1	0.031 - 0.054
BEARING 2	1.5 -0.003 -0.007	45.5φ +0.016 +0.008	5	42.5φ -0.007 -0.016	2	0.031 - 0.054
BEARING 3	1.5 -0.007 -0.011	45.5φ +0.008 0	6	42.5φ -0.017 -0.024	3	0.031 - 0.054
BEARING 4	1.5 -0.011 -0.015					0.031 - 0.054
BEARING 5	1.5 -0.015 -0.019					0.031 - 0.054

6	1J7-11631-02-96	PISTON (67.96mm STD)	} U.R. U.R. 3 3		
	1J7-11631-02-97	PISTON (67.97mm STD)			
	1J7-11635-02	PISTON (68.25mm 1st O.S)	3	3	Alternate Parts
	1J7-11636-02	PISTON (68.50mm 2nd O.S)	3	3	Alternate Parts
	1J7-11637-02	PISTON (68.75mm 3rd O.S)	3	3	Alternate Parts
	1J7-11638-02	PISTON (69.00mm 4th O.S)	3	3	Alternate Parts
7	1J7-11610-01	PISTON RING SET (STD)	3s	3s	
	1J7-11610-11	PISTON RING SET (1st O.S)	3s	3s	Alternate Parts
	1J7-11610-21	PISTON RING SET (2nd O.S)	3s	3s	Alternate Parts
	1J7-11610-31	PISTON RING SET (3rd O.S)	3s	3s	Alternate Parts
	1J7-11610-41	PISTON RING SET (4th O.S)	3s	3s	Alternate Parts

Fig. 3 CRANK · PISTON



Af. No.	Parts No.	Description	Qty		Applicable Machine No.	Remarks
			7500	75020		
8	1J7-11633-00	PIN, piston	3	3		
9	90468-12069	CLIP, piston pin	6	6		
10	1J7-11416-00	BEARING, crankshaft A-1	U.R. 7	U.R. 7		Blue
	1J7-11416-10	BEARING, crankshaft A-2				Black
	1J7-11416-20	BEARING, crankshaft A-3				Brown
	1J7-11416-30	BEARING, crankshaft A-4				Green
	1J7-11416-40	BEARING, crankshaft A-5				Yellow
11	1J7-11417-00	BEARING, crankshaft B-1	U.R. 1	U.R. 1		Blue
	1J7-11417-10	BEARING, crankshaft B-2				Black
	1J7-11417-20	BEARING, crankshaft B-3				Brown
	1J7-11417-30	BEARING, crankshaft B-4				Green
	1J7-11417-40	BEARING, crankshaft B-5				Yellow

TABLE 2 CRANKSHAFT BEARING SELECTION

Housing No. - Shaft No. = Bearing No.

	Center thickness T	Housing diameter	No.	Shaft diameter	No.	Oil clearance
BEARING 1	1.5 -0.006 +0.002	53φ +0.024 +0.016	4	50φ 0 -0.008	1	0.022 - 0.044
BEARING 2	1.5 +0.002 -0.002	53φ +0.016 +0.008	5	50φ -0.009 -0.016	2	0.022 - 0.044
BEARING 3	1.5 -0.002 -0.006	53φ +0.008 0	6	50φ -0.017 -0.024	3	0.022 - 0.044
BEARING 4	1.5 -0.006 -0.010					0.022 - 0.044
BEARING 5	1.5 -0.010 -0.014					0.022 - 0.044

12	1J7-13324-00	GEAR, pump drive	1	1	
13	90201-26600	WASHER, plate	1	1	26.5-36-1.5
14	90170-26191	NUT, hexagon	1	1	
15	1J7-16139-00	CHAIN, primary (72 links)	1	1	

FWD