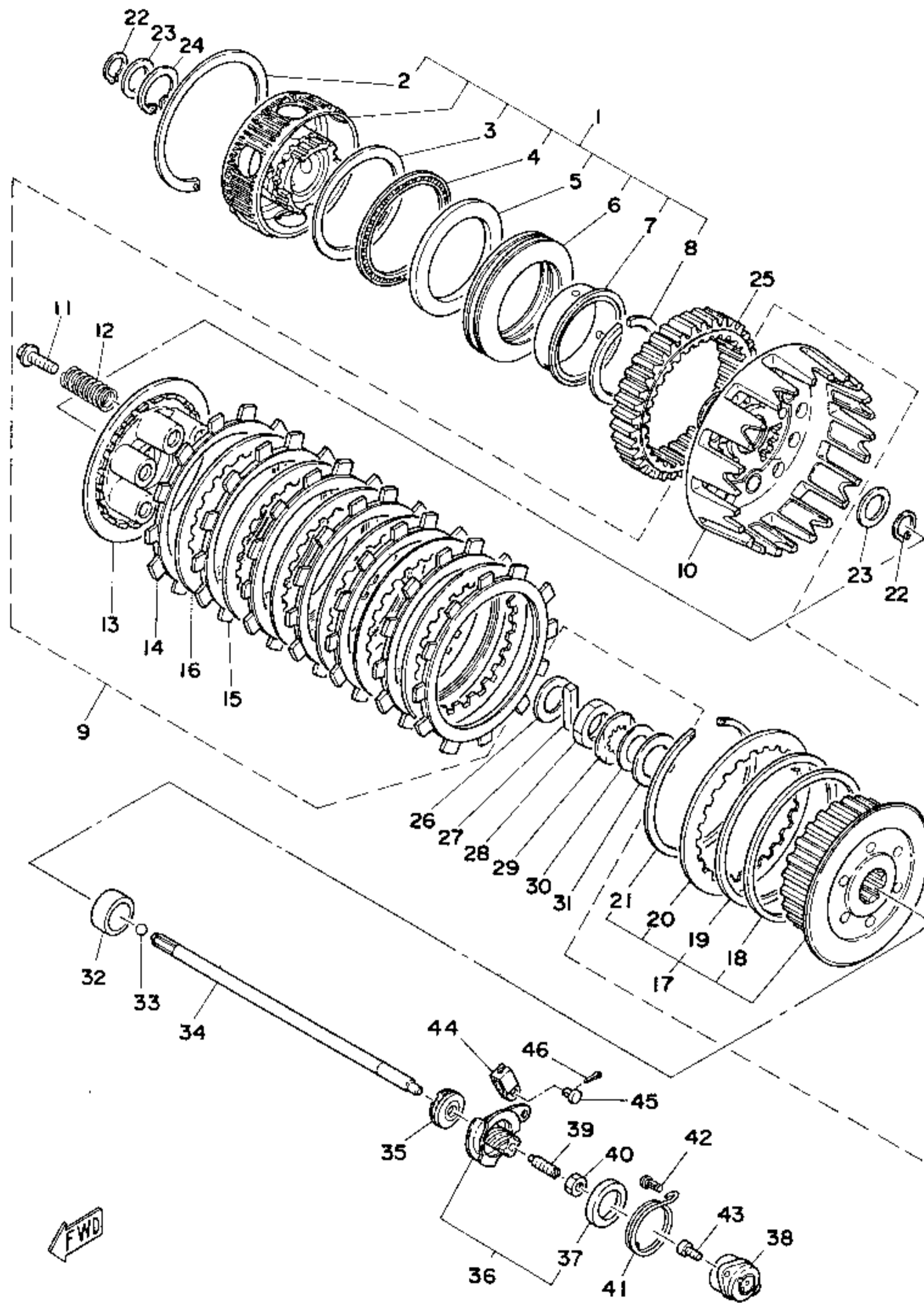
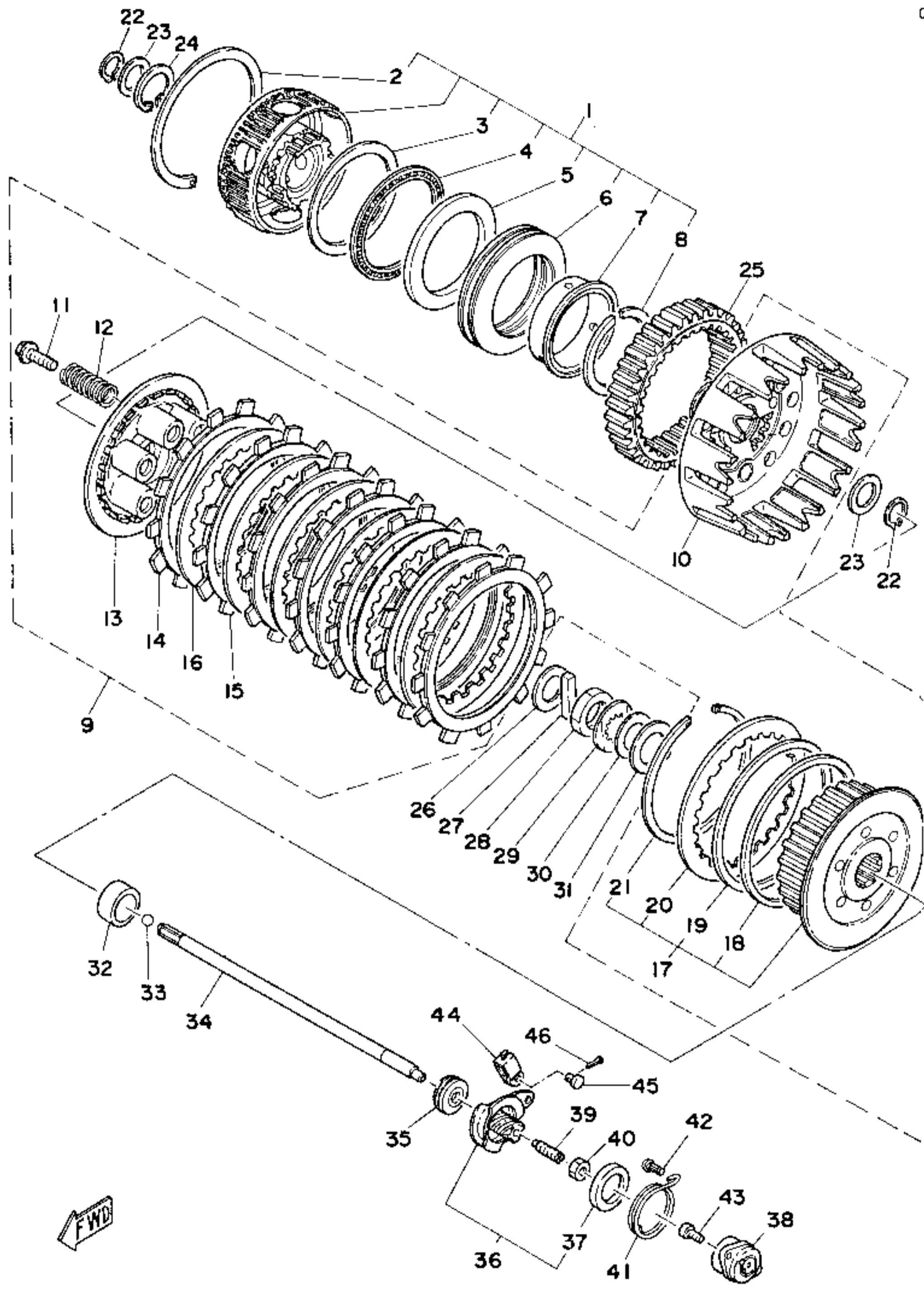


Fig. 10 CLUTCH



Ref. No.	Parts No.	Description	Q'ty		Remarks
			750D	750-2D	
0. 1	1J7-16306-00	DAMPER ASS'Y	1	1	
2	93441-08048	. CIRCLIP	1	1	
3	90201-76604	. WASHER, plate	1	1	76-95 0.8
4	93340-27601	. BEARING	1	1	
5	90201-69603	. WASHER, plate	1	1	69-95 5.4
6	1J7-16318-00	. SPRING, damper	1	1	
7	90387-64545	. COLLAR	1	1	
8	93440-64047	. CIRCLIP	1	1	
9	1J7-16301-00	CLUTCH ASS'Y	1	1	
10	1J7-16310-01	. CLUTCH HOUSING COMP.	1	1	
11	90159-06010	. SCREW, crossrecess hexagon	6	6	
12	90501-23142	. SPRING, compression (256-16333-00)	6	6	
13	1J7-16351-00	. PLATE, pressure	1	1	
14	383-16321-00	. PLATE, friction	1	1	
15	1J7-16321-00	. PLATE, friction 1	6	6	
16	371-16325-00	. PLATE, clutch 1	6	6	
17	1J7-16370-01	. CLUTCH BOSS ASS'Y	1	1	↙
	1J7-16370-02	. CLUTCH BOSS ASS'Y	1	1	↘
	1J7-16370-03	. CLUTCH BOSS ASS'Y	1	1	
18	1J7-16384-00	. . PLATE, seat	1	1	
19	1J7-16383-00	. . SPRING, clutch boss	1	1	
	1J7-16383-01	. . SPRING, clutch boss	1	1	
20	168-16325-00	. . PLATE, clutch 2	1	1	
21	1J7-16385-00	. . CIRCLIP	1	1	
22	93410-20009	CIRCLIP (5-20)	2	2	
23	90201-21599	WASHER, plate	2	2	21.2 29 2
24	93440-30050	CIRCLIP	1	1	
25	1J7-16151-00	GEAR, primary driven (45T)	1	1	
26	90201-22625	WASHER, plate	1	1	22-36-2.6
27	1J7-16356-01	ROD, push 1	1	1	
28	90170-24203	NUT, hexagon	1	1	
29	90215-21130	WASHER, lock	1	1	

Fig. 10 CLUTCH



Ref. No.	Parts No.	Description	Q'ty		Applicable Machine No.	Remarks
			750D	750-2D		
0-30	90208-25021	WASHER, conical spring	1	1		
31	90201-25345	WASHER, plate	1	1		
32	90560-25160	SPACER	1	1		
33	93505-16006	BALL, (5/16 inch)	1	1		
34	117-16357-01	ROD, push	1	1		
35	93102-08150	OIL SEAL (SD-8-25-8)	1	1		
36	117-16340-01	PUSH LEVER ASS'Y	1	1		
37	214-16347-01	SEAL, dust	1	1		
38	117-16304-00	BALL SCREW HOUSING ASS'Y	1	1		
39	90113-08021	SCREW, adjusting (256-16343-01)	1	1		
40	90179-08179	NUT, adjusting	1	1		
41	90508-18313	SPRING, torsion	1	1		
42	132-16346-00	HOOK, spring	1	1		
43	98501-05012	SCREW, panhead	2	2		
44	117-16389-00	JOINT	1	1		
45	90240-06005	PIN (214-16370-00)	1	1		
46	91401-10010	PIN, cotter	1	1		