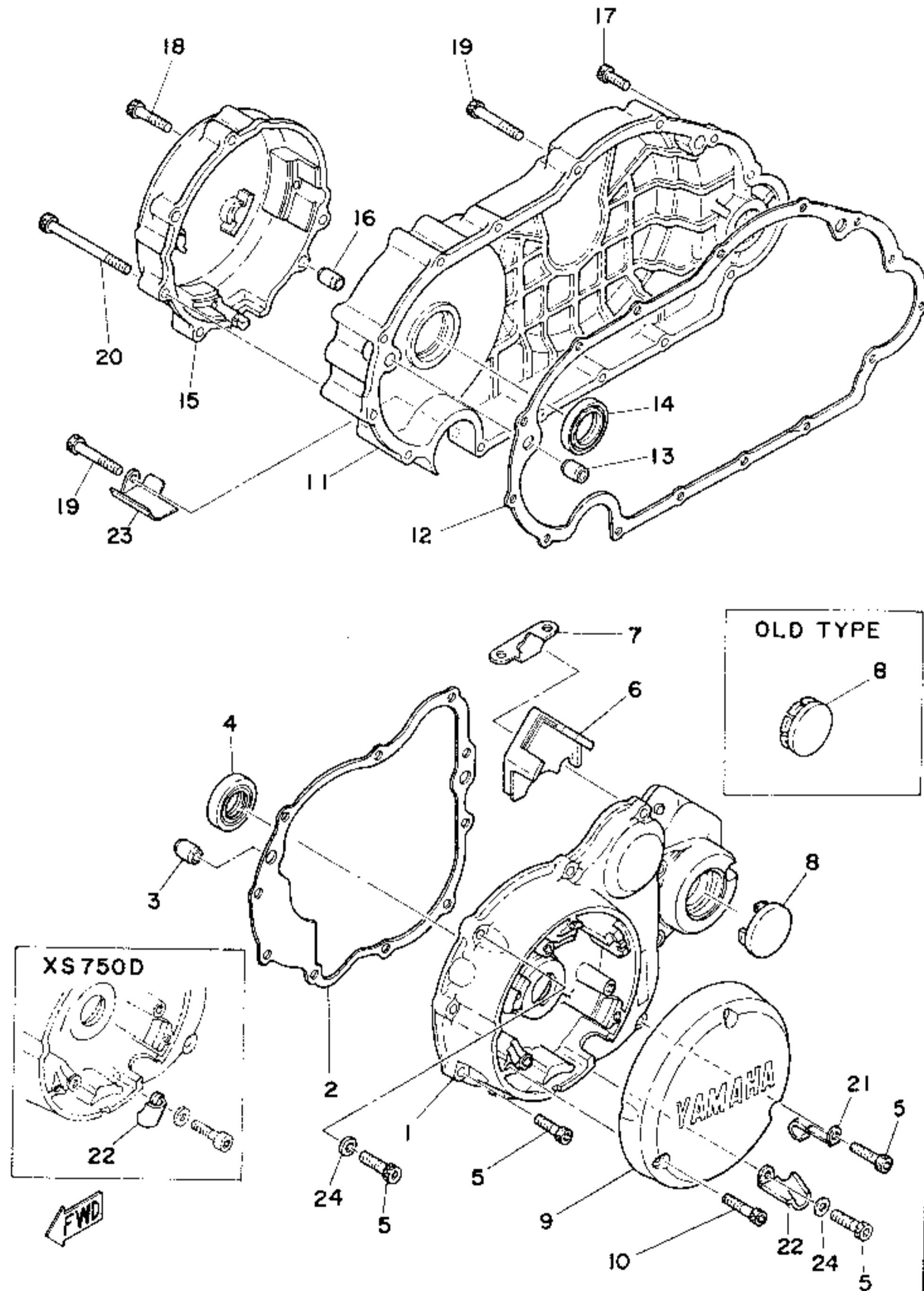


Fig. 17 CRANKCASE COVER



Ref. No.	Parts No.	Description	Q'ty		Applicable Machine No.	Remarks
			750D	750/20		
1	1J7-15410-00	CRANKCASE COVER ASS'Y, left	1	1		
2	1J7-15461-00	GASKET, crankcase cover left	1	1		
3	91810-03014	PIN, dowel (8.5-10-15)	2	2		
4	93102-24154	OIL SEAL (SD-24-40-7.4)	1	1		
5	91316-06025	BOLT, hexagon socket head	11	11		
6	1J7-15474-00	SEAL, air dust	1	1		
7	1J7-15497-00	PLATE, dust seal	1	1		
8	1J7-15417-01	COVER, cap	1			▽
	1J7-15417-02	COVER, cap	1	1		
9	1J7-15416-00	COVER, breaker plate	1	1		
10	91316-06030	BOLT, hexagon socket head	3	3		
11	1J7-15431-01	COVER, crankcase right	1	1		
12	1J7-15451-00	GASKET, crankcase cover right	1	1		
13	91810-03014	PIN, dowel (8.5-10-15)	2	2		
14	93102-25153	OIL SEAL (SD-25-40-6)	1	1		
15	1J7-15415-01	COVER, generator	1	1		
16	91810-18016	PIN, dowel (6.4-8-16)	2	2		
17	91316-06018	BOLT, hexagon socket head	4	4		
18	91316-06030	BOLT, hexagon socket head	1	1		
19	91316-06040	BOLT, hexagon socket head	7	7		
20	91316-06080	BOLT, hexagon socket head	4	4		
21	90465-08116	CLAMP (1J7-81628-00)	2	2		
22	90465-06113	CLAMP (1J7-81624-00)	1			
	1T4-81624-00	CLAMP		1		
23	90465-10113	CLAMP (1J7-81665-01)	1	1		
24	90201-06431	WASHER, plate (6.2-11-1.0)	2	2		