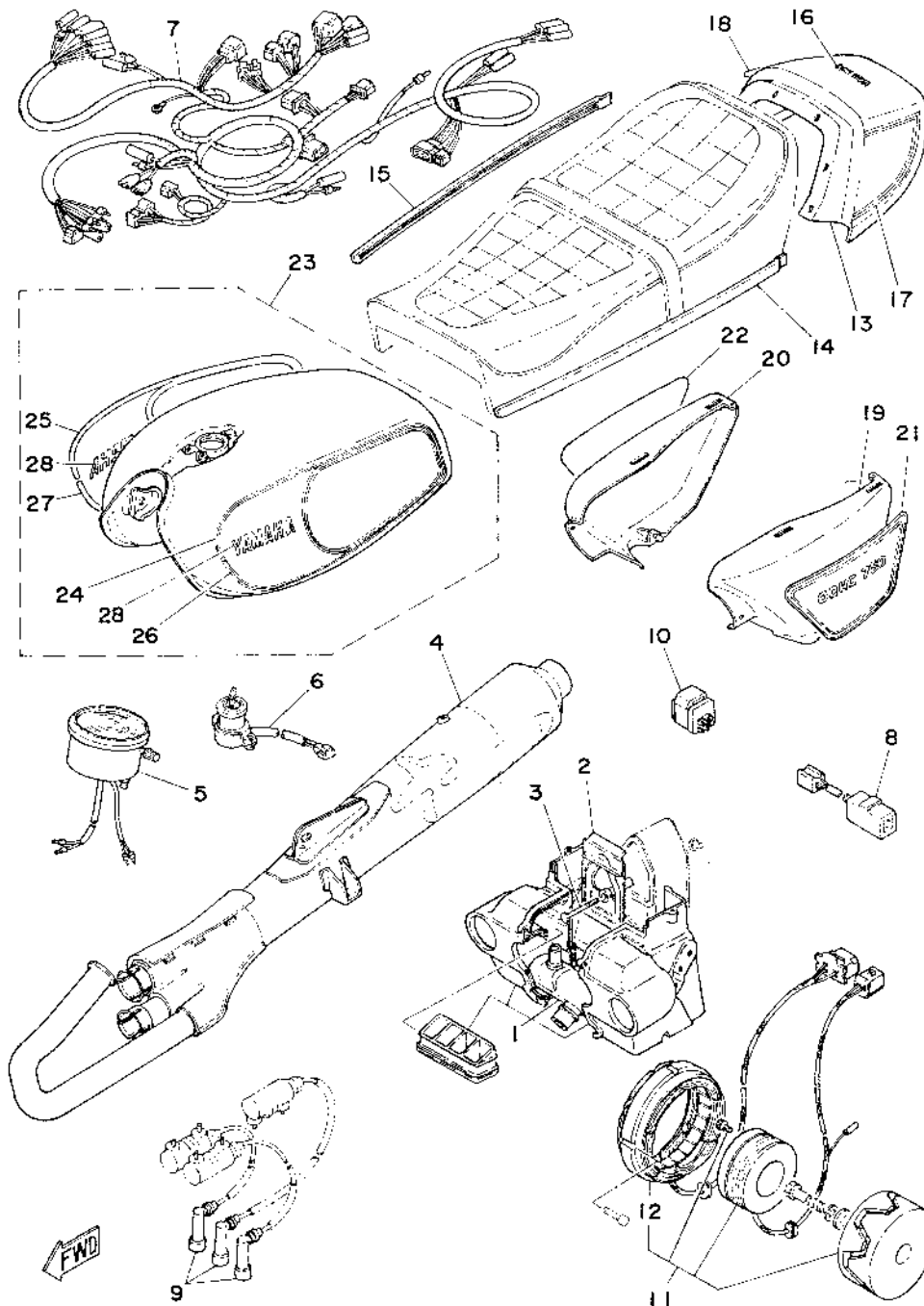


Fig. 48 EXCLUSIVE PARTS FOR CANADA



| Ref. No. | Parts No. | Description | Q'ty | | Remarks |
|----------|-----------------|--------------------------------|------|----------|----------------|
| | | | 7500 | 7500-210 | |
| 45-1 | 1J7-W1441-00 | AIR CLEANER CASE COMP. | 1 | | |
| 2 | 1J7-14172-00 | PLATE, element | 1 | | |
| 3 | 97301-06065 | BOLT, hexagon | 1 | | |
| 4 | 1J7-14710-10 | MUFFLER ASS'Y | 1 | | |
| 5 | 1J3-83570-21 | SPEEDOMETER ASS'Y | 1 | 1 | Knob |
| 6 | 1J3-82508-50 | MAIN SWITCH ASS'Y | 1 | 1 | |
| 7 | 1J7-82590-51 | WIRE HARNESS ASS'Y | 1 | | |
| | 1T4-82590-50 | WIRE HARNESS ASS'Y | 1 | | |
| 8 | 1E17-83395-02 | FLASHER CANCELLING UNIT | 1 | 1 | |
| 9 | 1J7-82370-10 | PLUG CAP ASS'Y | 3 | 3 | |
| 10 | 360-81950-10 | RELAY ASS'Y | 1 | 1 | |
| 11 | 1J7-81600-50 | A.C. GENERATOR ASS'Y | 1 | 1 | |
| 12 | 1J7-81610-50 | STATOR ASS'Y | 1 | 1 | |
| 13 | 1T4-24756-00-20 | COVER, tail | 1 | | Crystal Silver |
| 14 | 1T4-24785-00-20 | MOLD, double seat | 1 | | Crystal Silver |
| 15 | 1T4-24785-10-20 | MOLD, double seat | 1 | | Crystal Silver |
| 16 | 1J7-24786-00 | EMBLEM, tail cover | 1 | | |
| 17 | 1T5-24757-10 | GRAPHIC, tail cover left | 1 | | |
| 18 | 1T5-24767-10 | GRAPHIC, tail cover right | 1 | | |
| 19 | 1J7-21711-00-20 | COVER, side left | 1 | | Crystal Silver |
| 20 | 1J7-21721-00-20 | COVER, side right | 1 | | Crystal Silver |
| 21 | 1J7-21781-00 | EMBLEM, side cover left | 1 | | |
| 22 | 1J7-21782-00 | EMBLEM, side cover right | 1 | | |
| 23 | 1J7-24110-00-01 | FUEL TANK COMP. | 1 | | Crystal Silver |
| 24 | 1J7-24244-01 | GRAPHIC, fuel tank upper left | 1 | | |
| 25 | 1J7-24246-01 | GRAPHIC, fuel tank upper right | 1 | | |
| 26 | 1J7-24245-01 | GRAPHIC, fuel tank under left | 1 | | |
| 27 | 1J7-24247-01 | GRAPHIC, fuel tank under right | 1 | | |
| 28 | 1K8-24161-00 | EMBLEM, fuel tank | 2 | | |