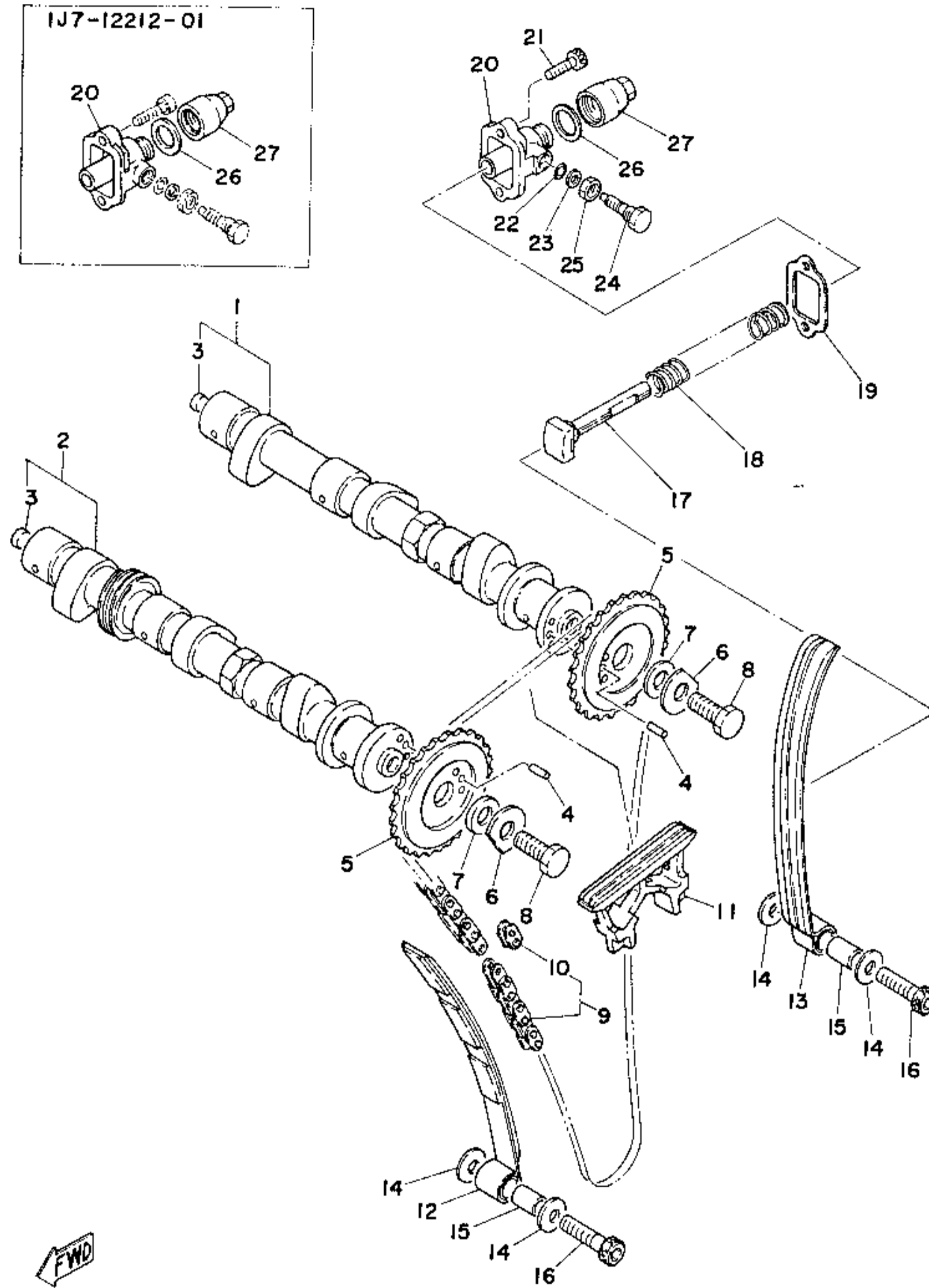
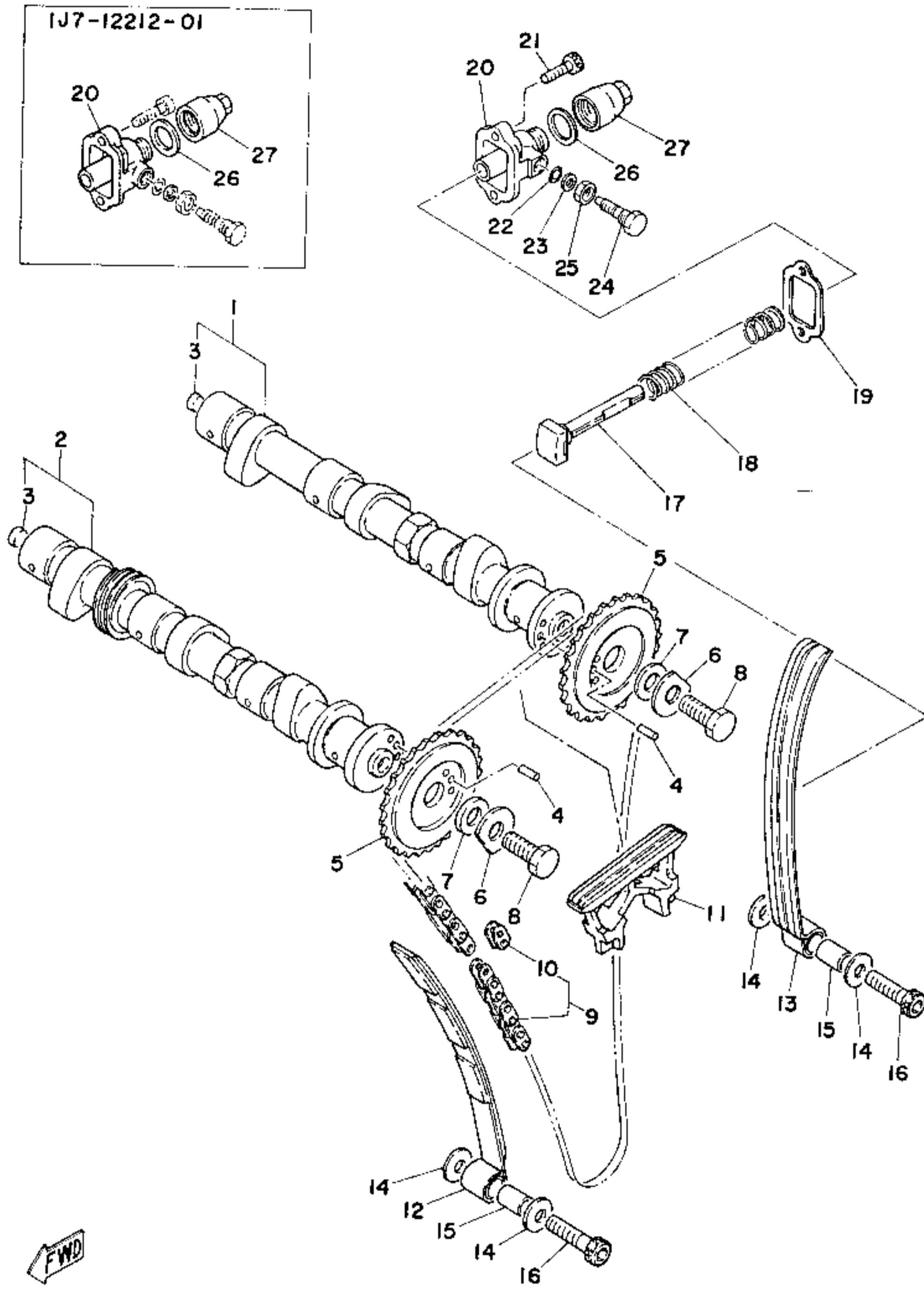


Fig. 4 CAMSHAFT · CHAIN TENSIONER



Q'ty	Parts No.	Description	Q'ty		Remarks
			750D	750-21	
1	1J7-12170-00	INTAKE CAMSHAFT ASS'Y	1		
	1T5-12170-00	INTAKE CAMSHAFT ASS'Y	1		
2	1J7-12180-00	EXHAUST CAMSHAFT ASS'Y	1		
	1T5-12180-00	EXHAUST CAMSHAFT ASS'Y	1		
3	90331-10011	PLUG	2	2	
4	93604-10010	PIN, dowel (4-10)	2	2	
5	1J7-12176-01	SPROCKET, camshaft	2	2	
6	90209-10149	WASHER	2	2	10.5-28-1.0
7	90201-10596	WASHER, plate	2	2	10.5-23-3.0
8	97311-10025	BOLT, hexagon	2	2	
9	94500-02124	CHAIN (BF05M-124L)	1	1	
10	94600-02001	JOINT, chain	1	1	
11	1J7-12241-00	GUIDE, stopper 2	1	1	
12	1J7-12251-00	DAMPER, chain 1	1	1	
13	1J7-12252-00	DAMPER, chain 2	1	1	
14	90201-06066	WASHER, plate (101-28323-00)	4	4	6.5-20-2.0
15	90387-06540	COLLAR	2	2	6.2-11-16.3
16	91318-06035	BOLT, hexagon socket head	2	2	
17	1J7-12217-00	ROD, chain tensioner	1	1	
18	90501-16417	SPRING, compression	1	1	
19	1J7-12213-00	GASKET, chain tensioner case	1	1	
20	1J7-12212-00	CASE, chain tensioner	1		
	1J7-12212-01	CASE, chain tensioner	1		
	1J7-12212-02	CASE, chain tensioner	1	1	005037~
21	91316-06020	BOLT, hexagon socket head	2	2	
22	93210-06001	O-RING (1.9-5.8)	1	1	
23	92901-06600	WASHER, plate	1	1	
24	90109-08442	BOLT	1	1	
25	95301-08700	NUT, hexagon	1	1	

Fig. 4 CAMSHAFT · CHAIN TENSIONER



I. No.	Parts No.	Description	Q'ty		Applicable Machine No.	Remarks
			7500	750-20		
26	90430-14044	GASKET (606-45273-00)	1			14.3-20.5-1
	90430-16141	GASKET	1	1		16.1 20.5-1
27	1J7-12215-00	CAP, tensioner case	1			
	1J7-12215-01	CAP, tensioner case	1	1		