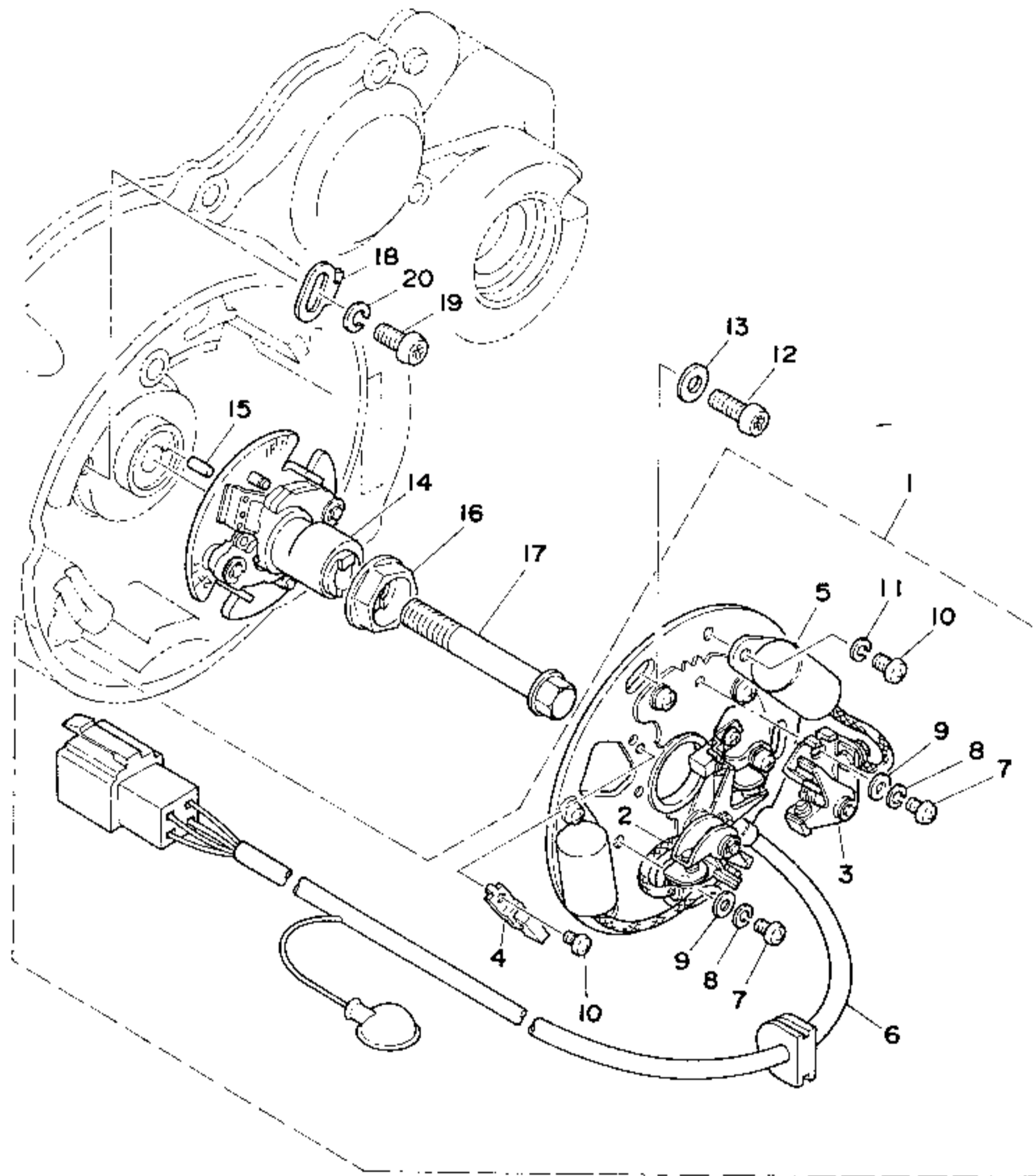


Fig. 6 CONTACT BREAKER - GOVERNOR



Ref. No.	Parts No.	Description	Q'ty		Remarks
			750D	750 20	
1	1J7-81620-10	BREAKER PLATE ASS'Y	1	1	
2	1J7-81621-10	CONTACT BREAKER ASS'Y, left	1	1	
3	1J7-81622-10	CONTACT BREAKER ASS'Y, right	2	2	
4	1J7-81631-10	LUBRICATOR	2	2	
5	1J7-81625-10	CONDENSER	3	3	
6	1J7-81634-10	LEAD WIRE ASS'Y	1	1	
7	110-81345-20	SCREW, panhead (M4-6)	3	3	
8	92901-04100	WASHER, spring	3	3	
9	92901-04500	WASHER, plate	3	3	
10	98501-04005	SCREW, panhead	5	5	
11	92901-04100	WASHER, spring	3	3	
12	92501-06015	SCREW, panhead	3	3	
13	92901-06200	WASHER, plain	3	3	
14	1J7-81653-10	GOVERNOR ASS'Y	1		▽
	1J7-81653-11	GOVERNOR ASS'Y	1	1	
15	93604-08071	PIN, dowel (4-8)	1	1	
16	90209-18146	WASHER	1	1	
17	90105-08067	BOLT	1	1	
18	1J7-81632-00	PLATE, timing	1	1	
19	98301-05012	SCREW, cylinder head	1	1	
20	92901-05100	WASHER, spring	1	1	

FWD