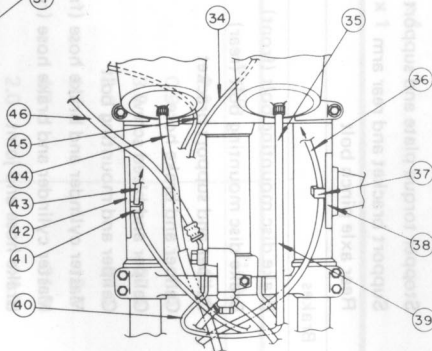
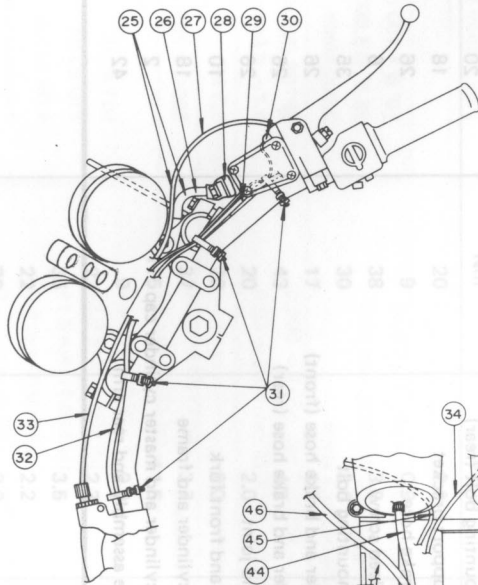
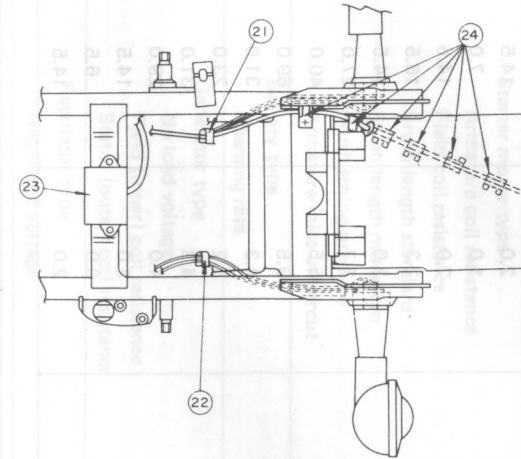
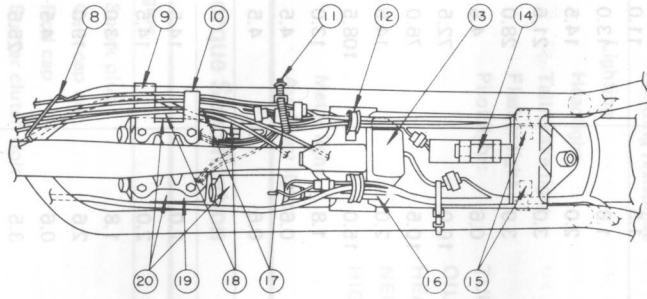
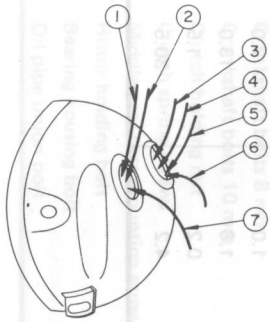


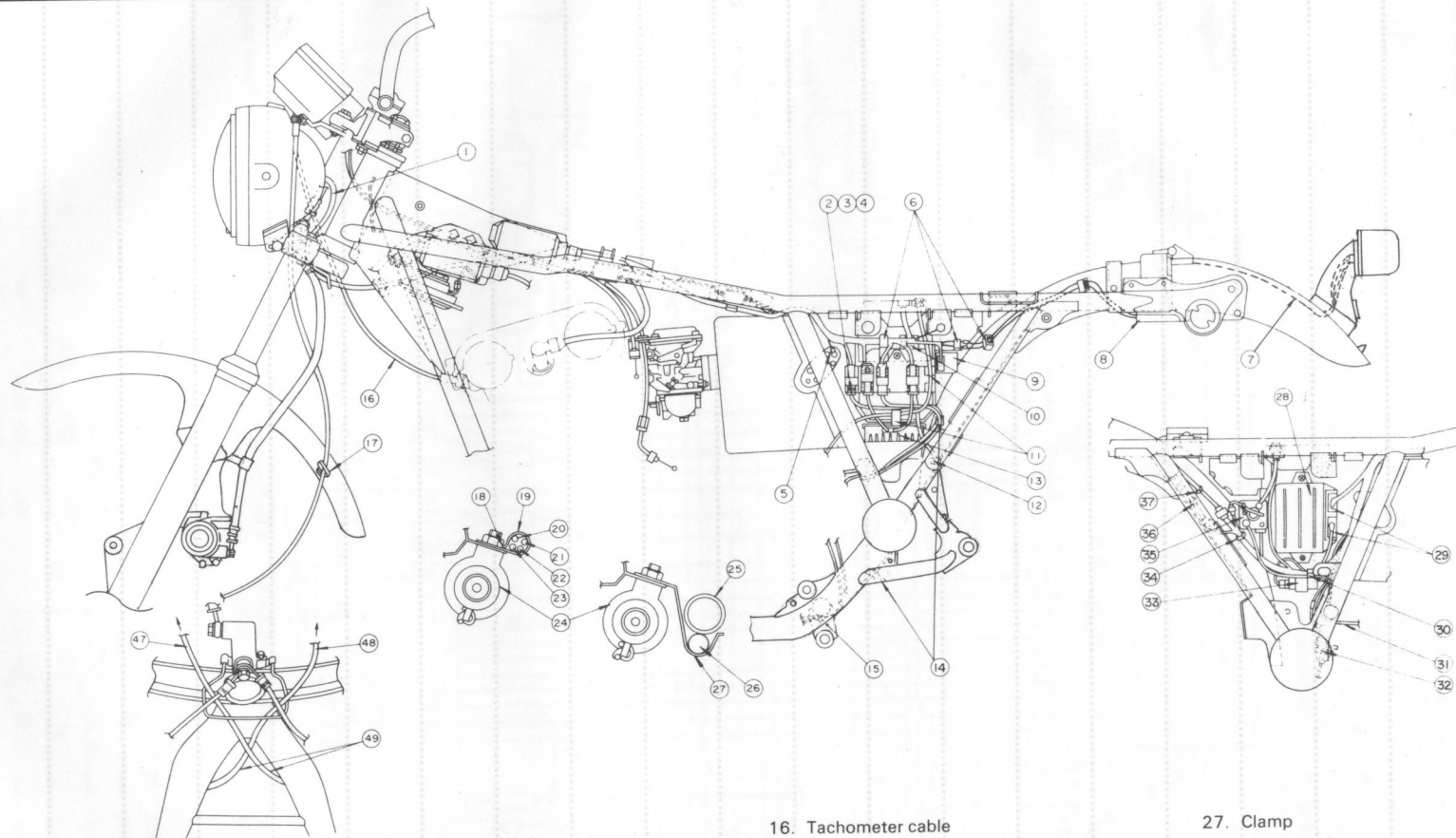
D. CABLE ROUTING



1. Pilot box lead wire
2. Speedometer lead wire
3. Main switch lead wire
4. Front brake switch lead wire
5. Tachometer lead wire
6. Wire harness
7. Wire harness
8. Pass throttle cable, clutch cable and with harness through guide
9. Clamp wire harness
10. Clamp throttle cable and clutch cable

11. Wire harness band
12. Clamp wire harnesses
13. Reserve lighting unit
14. Self cancelling unit
15. Clamp wire harnesses
16. Pass high tension cord over gusset seat rail and onto left cylinder head.
17. After clamping throttle cable, pass it under head pipe gusset and onto carburetor
18. After clamping clutch cable, pass it under head pipe gusset and downward
19. Pass high tension cord down to mid cylinder
20. Ignition coil
21. Clamp flasher lead wire and taillight lead wire.
22. Clamp flasher leads.
23. Fuse box
24. Clamp
25. Pas throttle cable/brake hose over clamp stay and inward
26. Brake hose
27. Throttle cable

28. Front brake switch lead wire
29. Handlebar switch lead wire
30. Front brake switch
31. Fasten handlebar switch lead with band at 4 places
32. Handlebar switch lead wire
33. Clutch cable
34. Cltch cable
35. Speedometer cable
36. To headlight
37. Clamp
38. Light stay (Left)
39. Do not let speedometer cable cross wire harness over under bracket.
40. Wire guide
41. Clamp
42. Light stay (Right)
43. To headlight
44. Tachometer cable
45. Throttle cable
46. Brake hose
47. Into right hole in headlight
48. Into left hole in headlight
49. Clamp



1. Pass right and left main wire harnesses from headlight in front of head pipe, cross them through wire guide, pass them under steering head pipe and clamp them.
2. A.C. Generator field coil
3. Oil pressure switch
4. Neutral switch
5. Ground to frame
6. Clamp wire harness and pass it backward along mud guard.
7. Taillight lead wire

8. Pass flasher light lead wire through guide and onto clamp.
9. Headlight relay
10. Pass battery breather pipe through box guide, behind clamp coupler, inside mud guard and then downward.
11. Pass battery earth lead wire on right side of clamp coupler and clamp it under box.
12. Clamp
13. Rectifier with regulator
14. Clamp
15. Clamp

16. Tachometer cable
17. Pass speedometer cable through guide and inside brake hose.
18. Put clamp end well under nut and tighten securely.
19. Clamp
20. Clutch cable
21. Throttle cable
22. Wire harness
23. Wire harness
24. Ignition coil
25. Seat rail
26. Wire harness

27. Clamp
28. Ignition unit
29. Coupler
30. Pass wire harness/starter wire through clamp on lower right of battery box.
31. To starter.
32. Rear brake switch
33. Flasher relay
34. Clamp
35. Starter switch
36. Clamp flasher light lead wire and taillight lead wire.
37. Clamp